

Wing nuts

**Material:**

Steel (German type from M12 malleable iron) or stainless steel (A 2).

Version:

Steel and malleable iron electro zinc-plated.
Stainless steel bright.

Sample order:

nIm 07200-104

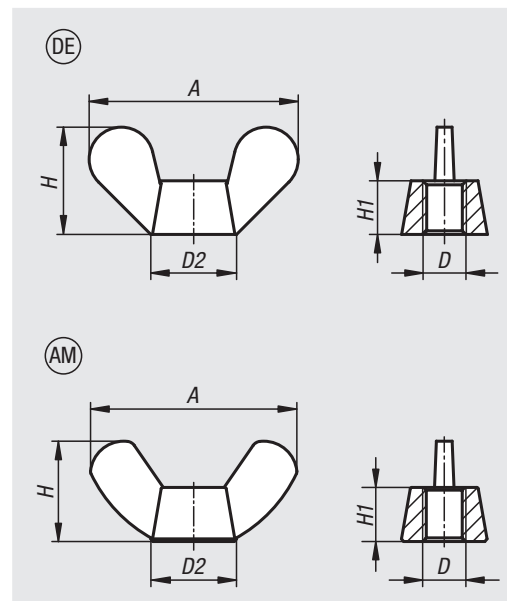
Note:

The wing nuts can be tightened and (generally) loosened tool-free.

Drawing reference:

DE = German style similar to DIN 315

AM = US style



Order No. steel	Order No. malleable iron	Order No. stainless steel	Form	D	A max.	D2 max.	H	H1
07200-104	-	07200-1104	DE	M4	20	8	10,5	4,6
07200-105	-	07200-1105	DE	M5	26	11	13	6,5
07200-106	-	07200-1106	DE	M6	33	13	17	8
07200-108	-	07200-1108	DE	M8	39	16	20	10
07200-110	-	07200-1110	DE	M10	51	20	25	12
-	07200-112	07200-1112	DE	M12	65	23	33,5	14
-	07200-116	07200-1116	DE	M16	73	29	37,5	17
-	07200-120	07200-1120	DE	M20	90	35	46,5	21

Order No. steel	Order No. stainless steel	Form	A max.	D	D2 max.	H	H1
07200-204	07200-1204	AM	18,5	M4	8	8,8	3
07200-205	07200-1205	AM	22	M5	11	10,5	4
07200-206	07200-1206	AM	26,8	M6	13	12,9	4,9
07200-208	07200-1208	AM	30,3	M8	14	14,8	5,4
07200-210	07200-1210	AM	35,3	M10	16,5	17,3	6,3
07200-212	07200-1212	AM	47,5	M12	22,5	22,5	7,9