

Wing screws


Material:

Steel (German type: malleable iron head, steel shaft)
min. grade 4.6 or stainless steel (A 2).

Version:

Electro zinc-plated steel.
Bright stainless steel.

Sample order:

nIm 07199-104X8 (include length L)

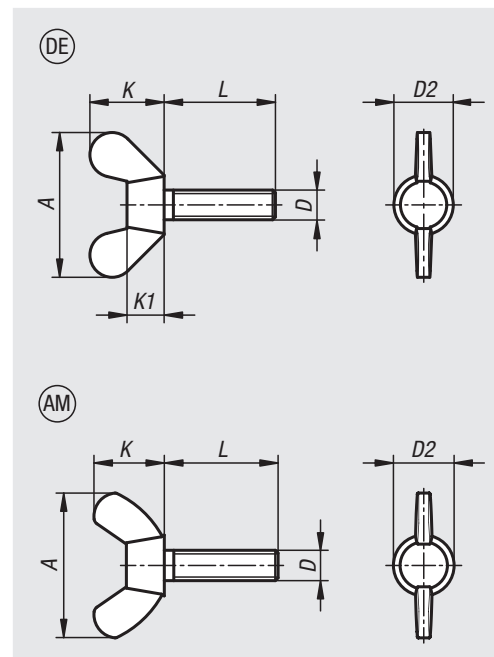
Note:

The wing screws can be tightened and (generally)
loosened by hand.

Drawing reference:

DE = German style similar to DIN 316

AM = US style



Order No.	Form	Main material	D	L	A max.	D2 max.	K	K1
07199-104X	DE	steel	M4	8/10/12/16/20/25/30	20	7	9,5	3,9
07199-105X	DE	steel	M5	10/12/16/20/25/30/35/40/50	25	9,5	12	5,3
07199-106X	DE	steel	M6	10/12/16/20/25/30/35/40/50	31,5	11,5	16	6,5
07199-108X	DE	steel	M8	10/12/16/20/25/30/35/40/50/60	37	14,5	19	8,3
07199-110X	DE	steel	M10	16/20/25/30/35/40/50/60/70	49,5	18,5	24	10
07199-112X	DE	steel	M12	16/20/25/30/40/50/60/70/80	63,5	21,5	32,3	12

Order No.	Form	Main material	D	L	A max.	D2 max.	K
07199-204X	AM	steel	M4	10/12/15/20/25/30	22	9,5	10,5
07199-205X	AM	steel	M5	10/12/15/20/25/30/35/40	22	9,5	10,5
07199-206X	AM	steel	M6	10/12/15/20/25/30/35/40/50	26,8	11,9	12,9
07199-208X	AM	steel	M8	10/12/15/20/25/30/35/40/45/50/60	30,3	13,5	14,8
07199-210X	AM	steel	M10	15/20/25/30/35/40/50/60	35,3	15,3	17,3
07199-212X	AM	steel	M12	20/25/30/35/40/50/60	47,5	20,5	22,5
07199-1204X	AM	stainless steel	M4	10/12/16/20/25/30	22	9,5	10,5
07199-1205X	AM	stainless steel	M5	10/12/16/20/25/30/35/40	22	9,5	10,5
07199-1206X	AM	stainless steel	M6	10/12/16/20/25/30/35/40/45/50	26,8	11,9	12,9
07199-1208X	AM	stainless steel	M8	10/12/16/20/25/30/35/40/45/50/60	30,3	13,5	14,8
07199-1210X	AM	stainless steel	M10	16/20/25/30/35/40/45/50/60	35,3	15,3	17,3