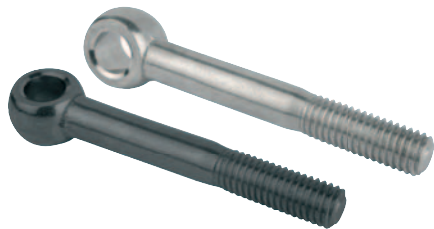


# Eye bolts

DIN 444, Form B



### Material:

Steel, grade 8.8 or stainless steel.

### Version:

Steel black oxidised.

Stainless steel bright.

### Sample order:

nIm 07180-12100

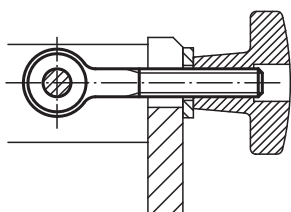
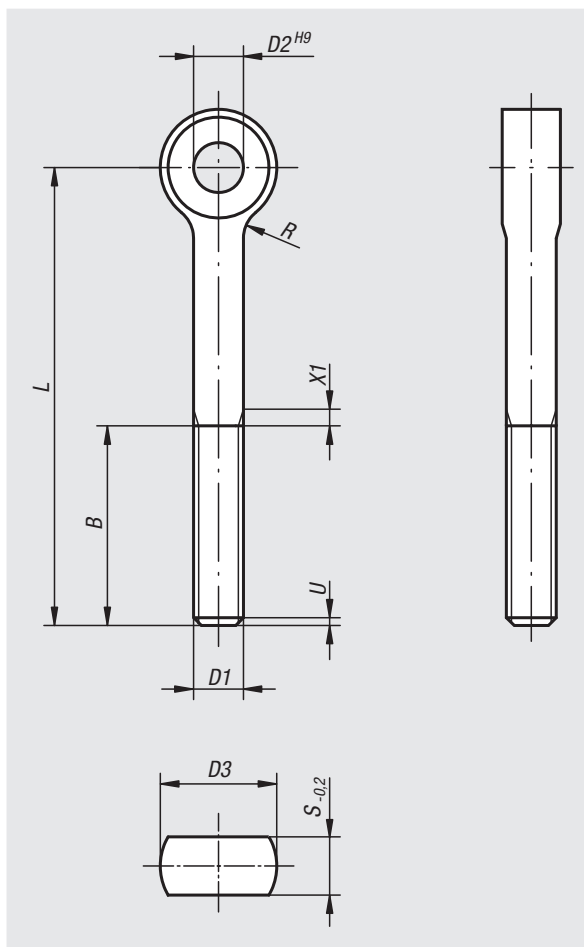
### Note:

Suitable hinge pin, see 04250.

### Drawing reference:

U = max. 2 P (incomplete thread)

X1 = to DIN 76 part 1



Order No. steel 8.8	Order No. stainless steel	B	D1	D2	D3	L	R	S
07180-0550	07180-10550	16	M5	5	12	50	2,5	6
07180-0575	-	16	M5	5	12	75	2,5	6
07180-0650	07180-10650	18	M6	6	14	50	4	7
07180-0675	07180-10675	18	M6	6	14	75	4	7
07180-0850	07180-10850	22	M8	8	18	50	4	9
07180-0875	07180-10875	22	M8	8	18	75	4	9
07180-1075	07180-11075	26	M10	10	20	75	4	12
07180-10100	07180-110100	26	M10	10	20	100	4	12
07180-1275	07180-11275	30	M12	12	25	75	6	14
07180-12100	07180-112100	30	M12	12	25	100	6	14
07180-12120	07180-112120	30	M12	12	25	120	6	14
07180-12130	07180-112130	36	M12	12	25	130	6	14
07180-1475	07180-11475	36	M14	14	28	75	6	16
07180-14130	07180-114130	36	M14	14	28	130	6	16
07180-16130	07180-116130	44	M16	16	32	130	6	17
07180-20140	07180-120140	52	M20	18	40	140	6	22