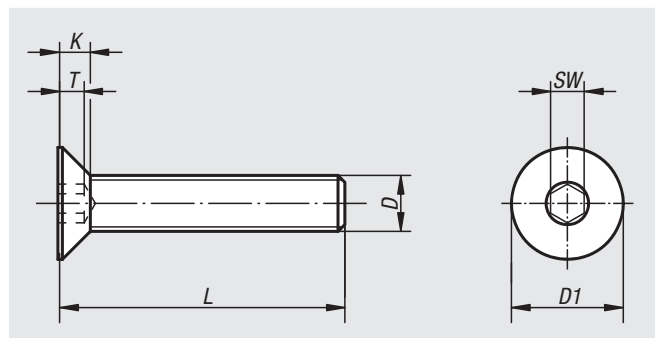


Screws with countersunk head

hexagon socket DIN EN ISO 10642



Material:

Steel, stainless steel A2 or stainless steel A4.

Version:

Steel grade 8.8, black or electro zinc-plated.

Steel grade 10.9, black.

Stainless steel A 2-70, bright.

Stainless steel A 4-70, bright.

Sample order:

nIm 07175-106X20 (include length L)

Note:

Contrary to DIN EN ISO 10642, the following screw lengths are thread up to the head:

By M4 from L = 25

By M5 from L = 30

By M6 from L = 30

By M8 from L = 35

By M10 from L = 40

By M12 from L = 45

By M16 from L = 60

| Order No. steel Grade 8.8 | Order No. steel Grade 10.9 | Main colour | D | L | D1 | K | T | SW |
|---------------------------------|----------------------------------|----------------|-----|----------------------------------|----|-----|-----|-----|
| 07175-04X | 07175-304X | black | M4 | 10/12/16/20/25 | 8 | 2,3 | 1,8 | 2,5 |
| 07175-05X | 07175-305X | black | M5 | 10/12/16/20/25/30 | 10 | 2,8 | 2,3 | 3 |
| 07175-06X | 07175-306X | black | M6 | 10/12/16/20/25/30/35/40/45/50/60 | 12 | 3,3 | 2,5 | 4 |
| 07175-08X | 07175-308X | black | M8 | 16/20/25/30/35/40/45/50/60 | 16 | 4,4 | 3,5 | 5 |
| 07175-10X | 07175-310X | black | M10 | 16/20/25/30/35/40/45/50/60/70 | 20 | 5,5 | 4,4 | 6 |
| 07175-12X | 07175-312X | black | M12 | 20/25/30/35/40/45/50/60/70/80 | 24 | 6,5 | 4,6 | 8 |
| 07175-16X | 07175-316X | black | M16 | 30/35/40/45/50/60/70/80 | 30 | 7,5 | 5,3 | 10 |
| 07175-404X | - | - | M4 | 10/12/16/20/25 | 8 | 2,3 | 1,8 | 2,5 |
| 07175-405X | - | - | M5 | 10/12/16/20/25/30 | 10 | 2,8 | 2,3 | 3 |
| 07175-406X | - | - | M6 | 10/12/16/20/25/30/35/40/45/50/60 | 12 | 3,3 | 2,5 | 4 |
| 07175-408X | - | - | M8 | 16/20/25/30/35/40/45/50/60 | 16 | 4,4 | 3,5 | 5 |
| 07175-410X | - | - | M10 | 16/20/25/30/35/40/45/50/60/70 | 20 | 5,5 | 4,4 | 6 |
| 07175-412X | - | - | M12 | 20/25/30/35/40/45/50/60/70/80 | 24 | 6,5 | 4,6 | 8 |
| 07175-416X | - | - | M16 | 30/35/40/45/50/60/70/80 | 30 | 7,5 | 5,3 | 10 |

| Order No. | Main material | Steel code | D | L | K | T | D1 | SW |
|------------|------------------|---------------|-----|----------------------------------|-----|-----|----|-----|
| 07175-104X | stainless steel | A2 | M4 | 10/12/16/20/25 | 2,3 | 1,8 | 8 | 2,5 |
| 07175-105X | stainless steel | A2 | M5 | 10/12/16/20/25/30 | 2,8 | 2,3 | 10 | 3 |
| 07175-106X | stainless steel | A2 | M6 | 10/12/16/20/25/30/35/40/45/50/60 | 3,3 | 2,5 | 12 | 4 |
| 07175-108X | stainless steel | A2 | M8 | 16/20/25/30/35/40/45/50/60 | 4,4 | 3,5 | 16 | 5 |
| 07175-110X | stainless steel | A2 | M10 | 16/20/25/30/35/40/45/50/60/70 | 5,5 | 4,4 | 20 | 6 |
| 07175-112X | stainless steel | A2 | M12 | 20/25/30/35/40/45/50/60/70/80 | 6,5 | 4,6 | 24 | 8 |
| 07175-116X | stainless steel | A2 | M16 | 30/35/40/45/50/60/70/80 | 7,5 | 5,3 | 30 | 10 |
| 07175-604X | stainless steel | A4 | M4 | 10/12/16/20/25 | 2,3 | 1,8 | 8 | 2,5 |
| 07175-605X | stainless steel | A4 | M5 | 10/12/16/20/25/30 | 2,8 | 2,3 | 10 | 3 |
| 07175-606X | stainless steel | A4 | M6 | 10/12/16/20/25/30/35/40/45/50/60 | 3,3 | 2,5 | 12 | 4 |
| 07175-608X | stainless steel | A4 | M8 | 16/20/25/30/35/40/45/50/60 | 4,4 | 3,5 | 16 | 5 |
| 07175-610X | stainless steel | A4 | M10 | 16/20/25/30/35/40/45/50/60/70 | 5,5 | 4,4 | 20 | 6 |
| 07175-612X | stainless steel | A4 | M12 | 20/25/30/35/40/45/50/60/70/80 | 6,5 | 4,6 | 24 | 8 |
| 07175-616X | stainless steel | A4 | M16 | 30/35/40/45/50/60/70/80 | 7,5 | 5,3 | 30 | 10 |