

Button head screws

EN ISO 7380



Material:

Steel, stainless steel A2 or stainless steel A4.

Version:

Steel grade 10.9, bright or electro zinc-plated.

Stainless steel A2-70, bright.

Stainless steel A4-70, bright.

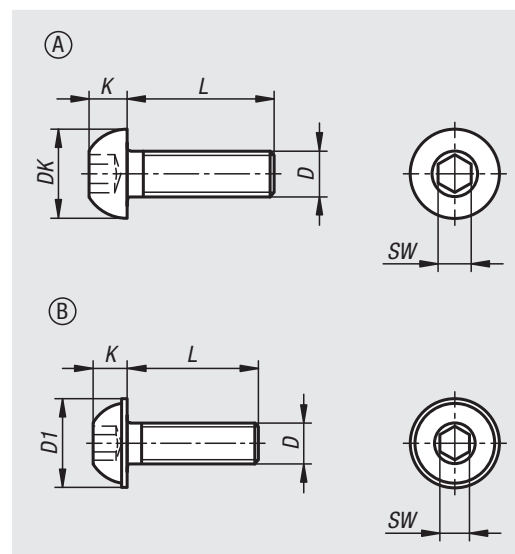
Sample order:

nIm 07174-1303X8 (include length L)

Note:

EN ISO 7380-1 Form A: Hexagon socket button head screws.

EN ISO 7380-2 Form B: Hexagon socket button head screws with collar.



Order No.	Form	Main material	Surface finish body	Grade	D	DK	K	L	SW
07174-1303X	A	steel	bright	10.9	M3	5,7	1,65	8/10/12/16/20	2
07174-1304X	A	steel	bright	10.9	M4	7,6	2,2	8/10/12/16/20/25/30	2,5
07174-1305X	A	steel	bright	10.9	M5	9,5	2,75	8/10/12/16/20/25/30/35/40	3
07174-1306X	A	steel	bright	10.9	M6	10,5	3,3	8/10/12/16/20/25/30/35/40/45/50/55/60	4
07174-1308X	A	steel	bright	10.9	M8	14	4,4	8/10/12/16/20/25/30/35/40/45/50/55/60	5
07174-1310X	A	steel	bright	10.9	M10	17,5	5,5	12/16/20/25/30/35/40/45/50/55/60	6
07174-1503X	A	steel	galvanised	10.9	M3	5,7	1,65	8/10/12/16/20	2
07174-1504X	A	steel	galvanised	10.9	M4	7,6	2,2	8/10/12/16/20/25/30	2,5
07174-1505X	A	steel	galvanised	10.9	M5	9,5	2,75	8/10/12/16/20/25/30/35/40/45	3
07174-1506X	A	steel	galvanised	10.9	M6	10,5	3,3	8/10/12/16/20/25/30/35/40/45/50/55/60	4
07174-1508X	A	steel	galvanised	10.9	M8	14	4,4	8/10/12/16/20/25/30/35/40/45/50/55/60	5
07174-1510X	A	steel	galvanised	10.9	M10	17,5	5,5	12/16/20/25/30/35/40/45/50/55/60	6
07174-1512X	A	steel	galvanised	10.9	M12	21	6,6	16/20/25/30/35/40/45/50/60	8
07174-1516X	A	steel	galvanised	10.9	M16	28	8,8	30/40/45/50/60	10

Button head screws

EN ISO 7380

Order No.	Form	Main material	Surface finish body	Grade	D	D1	K	L	SW
07174-2304X	B	steel	bright	10.9	M4	9,4	2,2	8/10/12/16/20/25/30	2,5
07174-2305X	B	steel	bright	10.9	M5	11,8	2,75	8/10/12/16/20/25/30/35	3
07174-2306X	B	steel	bright	10.9	M6	13,6	3,3	8/10/12/16/20/25/30/35/40	4
07174-2308X	B	steel	bright	10.9	M8	17,8	4,4	12/16/20/25/30/35/40/50/60	5
07174-2310X	B	steel	bright	10.9	M10	21,9	5,5	25/30/35	6
07174-2504X	B	steel	galvanised	10.9	M4	9,4	2,2	8/10/12/16/20/25/30	2,5
07174-2505X	B	steel	galvanised	10.9	M5	11,8	2,75	8/10/12/16/20/25/30/35	3
07174-2506X	B	steel	galvanised	10.9	M6	13,6	3,3	8/10/12/16/20/25/30/35/40	4
07174-2508X	B	steel	galvanised	10.9	M8	17,8	4,4	12/16/20/25/30/35/40/50/60	5
07174-2510X	B	steel	galvanised	10.9	M10	21,9	5,5	20/30/35/40/50	6
07174-2512X	B	steel	galvanised	10.9	M12	26	6,6	20/25/30/40/50/60	8

Order No.	Form	Main material	Surface finish body	Steel code	D	DK	D1	K	L	SW
07174-1103X	A	stainless steel	bright	A2	M3	5,7	-	1,65	8/10/12/16/20	2
07174-1104X	A	stainless steel	bright	A2	M4	7,6	-	2,2	8/10/12/16/20/25/30	2,5
07174-1105X	A	stainless steel	bright	A2	M5	9,5	-	2,75	8/10/12/16/20/25/30/40/45	3
07174-1106X	A	stainless steel	bright	A2	M6	10,5	-	3,3	8/10/12/16/20/25/30/35/40/45/50/60	4
07174-1108X	A	stainless steel	bright	A2	M8	14	-	4,4	10/12/16/20/25/30/35/40/45/50/60	5
07174-1110X	A	stainless steel	bright	A2	M10	17,5	-	5,5	16/20/25/30/40/50	6
07174-1603X	A	stainless steel	bright	A4	M3	5,7	-	1,65	10/12/16/20	2
07174-1604X	A	stainless steel	bright	A4	M4	7,6	-	2,2	8/10/12/16/20/25/30	2,5
07174-1605X	A	stainless steel	bright	A4	M5	9,5	-	2,75	8/10/12/16/20/25/30/40/45	3
07174-1606X	A	stainless steel	bright	A4	M6	10,5	-	3,3	8/10/12/16/20/25/30/35/40/45/50/60	4
07174-1608X	A	stainless steel	bright	A4	M8	14	-	4,4	10/12/16/20/25/30/35/40/45/50/60	5
07174-1610X	A	stainless steel	bright	A4	M10	17,5	-	5,5	16/20/25/30/40/50	6
07174-2103X	B	stainless steel	bright	A2	M3	-	6,9	1,65	8/10	2
07174-2104X	B	stainless steel	bright	A2	M4	-	9,4	2,2	8/10/12/16/20/25	2,5
07174-2105X	B	stainless steel	bright	A2	M5	-	11,8	2,75	8/10/12/16/20/25	3
07174-2106X	B	stainless steel	bright	A2	M6	-	13,6	3,3	8/10/12/16/20/25/30/35/40/45	4
07174-2108X	B	stainless steel	bright	A2	M8	-	17,8	4,4	10/12/16/20/25	5