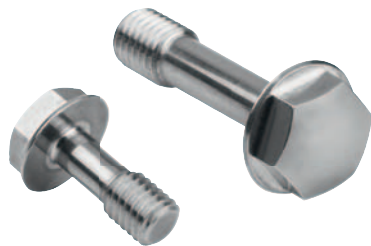


Hexagon bolts with narrow shaft

in Hygienic DESIGN



Material:

Stainless steel 1.4404.

Version:

Polished.

Sample order:

nIm 07170-02-06X30 (include length L)

Note:

Narrow shaft bolts are preferably secured against unintentional loss with a retaining element. This satisfies the EU standard 2006/42/EG. With the optionally available retaining washer the bolt is permanently combined with the component before screwing in. The washer is screwed over the threaded section and can then move freely on the narrow shaft. The shaft is not damaged by e.g. notching caused by a spring effect. By manual operation it is not possible that the washer screws itself out again. However, by careful manipulation the washer can be removed from the bolt without damaging either.

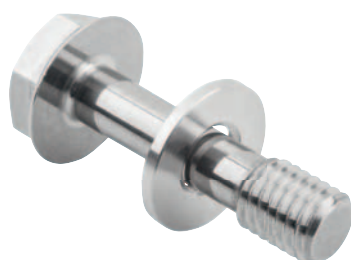
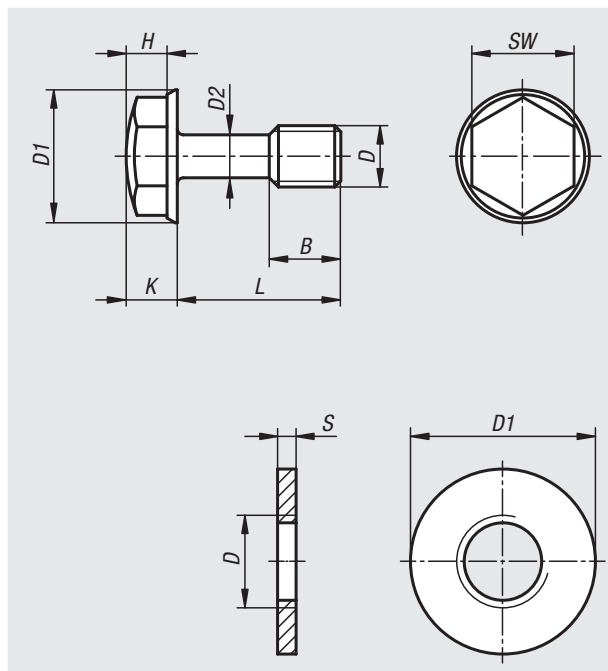
The surface of the hexagon head bolt is polished and, with regard to design optimised for the use in hygienic environments. The bolt head is convex on the top face and the collar has a conical formed top surface. Instead of troublesome embossing or indentations, the bolt head is smooth with a surface finish of less than Ra 0.8 µm. Dirt and residue from products or cleaners seldom adheres and easy cleaning is ensured.

On request:

Inch threads, thread lengths, shaft lengths

Accessories:

Locking washer 07170-03.



Hexagon bolts with narrow shaft

in Hygienic DESIGN



Hexagon bolts with narrow shaft in Hygienic DESIGN

Order No.	D	D1	D2	B	H	K	L	SW
07170-02-04X	M4	9,2	3,1	5	3	4	8/10/12/16	7
07170-02-04X	M4	9,2	3,1	14	3	4	20/25/30/35/40	7
07170-02-05X	M5	10,5	3,7	6	3,7	4,7	10/12/16/20	8
07170-02-05X	M5	10,5	3,7	16	3,7	4,7	25/30/35/40/45/50	8
07170-02-06X	M6	13	4,2	7	4	5	12/16/20	10
07170-02-06X	M6	13	4,2	18	4	5	25/30/35/40/45/50/60	10
07170-02-08X	M8	16,8	6	9,5	5,5	6,5	16/20/25	13
07170-02-08X	M8	16,8	6	22	5,5	6,5	30/35/40/45/50/60/70/80	13
07170-02-10X	M10	20,6	7,7	12	7,3	8,3	20/25/30/35	16
07170-02-10X	M10	20,6	7,7	26	7,3	8,3	40/45/50/60/70/80	16
07170-02-12X	M12	23,8	9,5	14,5	8,6	10	25/30/35/40	18
07170-02-12X	M12	23,8	9,5	30	8,6	10	45/50/60/70/80	18
07170-02-16X	M16	29,7	13	19	11,1	12,5	30/35/40/45/50	24
07170-02-16X	M16	29,7	13	38	11,1	12,5	60/70/80	24

Retaining washers for narrow shank screws

Order No.	D	D1	S
07170-03-04	M4	8	1,5
07170-03-05	M5	10	1,5
07170-03-06	M6	12	1,5
07170-03-08	M8	16	2
07170-03-10	M10	20	2
07170-03-12	M12	24	2,5
07170-03-16	M16	32	3