

Grub screws with flat point

hexagon socket DIN 913



Material:

Steel or stainless steel (A 2).

LONG-LOK thread lock nylon.

Version:

Steel class 45 H, black.

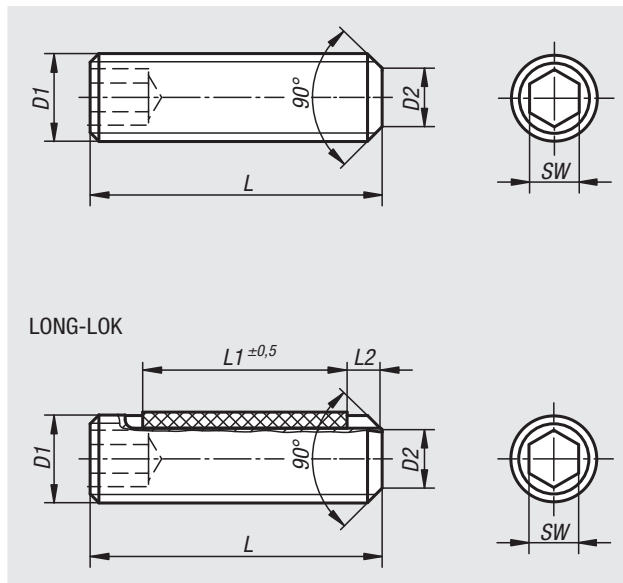
Stainless steel A 2-70, bright.

Sample order:

nIm 07165-110X20 (include length L)

Drawing reference:

L2 = approx. 2x thread pitch



Order No.	Main material	D1	D2	L	SW
07165-03X	steel	M3	2	5/6/8/10/12/16/20	1,5
07165-04X	steel	M4	2,5	5/6/8/10/12/16/20/25	2
07165-05X	steel	M5	3,5	5/6/8/10/12/16/20/25/30	2,5
07165-06X	steel	M6	4	6/8/10/12/16/20/25/30/35/40/45/50/60	3
07165-08X	steel	M8	5,5	8/10/12/16/20/25/30/35/40/45/50/60/70/80	4
07165-10X	steel	M10	7	10/12/16/20/25/30/35/40/45/50/60/70/80/90/100	5
07165-103X	stainless steel	M3	2	5/6/8/10/12	1,5
07165-104X	stainless steel	M4	2,5	5/6/8/10/12/16/20	2
07165-105X	stainless steel	M5	3,5	5/6/8/10/12/16/20/25/30	2,5
07165-106X	stainless steel	M6	4	6/8/10/12/16/20/25/30/35/40	3
07165-108X	stainless steel	M8	5,5	8/10/12/16/20/25/30/35/40/45/50	4
07165-110X	stainless steel	M10	7	10/12/16/20/25/30/35/40/45/50	5

Order No.	Version 2	Main material	D1	D2	L	L1	SW
07165-203X	long-lok	steel	M3	2	5/6/8/10/12	2/3/4/4/4	1,5
07165-204X	long-lok	steel	M4	2,5	5/6/8/10/12/16	2/2,5/3,5/5/5/5	2
07165-205X	long-lok	steel	M5	3,5	5/6/8/10/12/16	2/3/3,5/3,5/5/6	2,5
07165-206X	long-lok	steel	M6	4	6/8/10/12/16/20	2,5/3/3,5/5/7/7	3
07165-208X	long-lok	steel	M8	5,5	8/10/12/16/20	3/3,5/5/8/8	4
07165-210X	long-lok	steel	M10	7	10/12/16/20	5/5/9/9	5
07165-303X	long-lok	stainless steel	M3	2	5/6/8/10/12	2/3/4/4/4	1,5
07165-304X	long-lok	stainless steel	M4	2,5	5/6/8/10/12/16	2/2,5/3,5/5/5/5	2
07165-305X	long-lok	stainless steel	M5	3,5	5/6/8/10/12/16	2/3/3,5/3,5/5/6	2,5
07165-306X	long-lok	stainless steel	M6	4	6/8/10/12/16/20	2,5/3/3,5/5/7/7	3
07165-308X	long-lok	stainless steel	M8	5,5	8/10/12/16/20	3/3,5/5/8/8	4
07165-310X	long-lok	stainless steel	M10	7	10/12/16/20	5/5/9/9	5