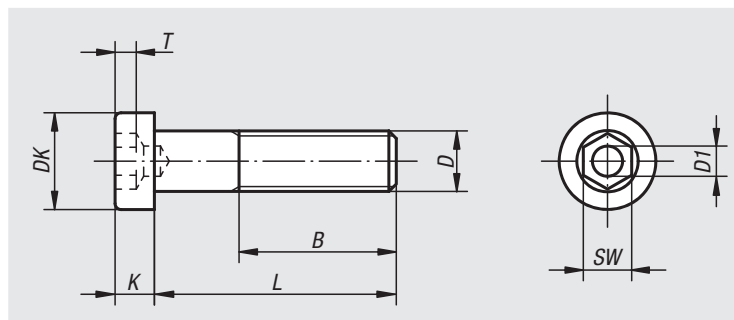


Socket head screws

low head DIN 6912



Material:

Steel, stainless steel A2 or stainless steel A4.

Version:

Steel grade 8.8, black or electro zinc-plated.

Steel grade 10.9, black.

Stainless steel A2-70, bright.

Stainless steel A4-70, bright.

Sample order:

nIm 07161-110X20 (include length L)

Note:

Screws where the dimension L is < B are threaded up to the head.

The screw length or thread length is specified by the dimension L.

Screws where L is > B have a shaft.

Socket head screws with low head DIN 6912, stainless steel

Order No. A2	Order No. A4	Main material	D	D1	DK	K	SW	T
07161-104X	07161-604X	stainless steel	M4	2	7	2,8	3	1,48
07161-105X	07161-605X	stainless steel	M5	2,5	8,5	3,5	4	1,88
07161-106X	07161-606X	stainless steel	M6	3	10	4	5	2,38
07161-108X	07161-608X	stainless steel	M8	4	13	5	6	2,88
07161-110X	07161-610X	stainless steel	M10	5	16	6,5	8	3,35
07161-112X	07161-612X	stainless steel	M12	6	18	7,5	10	3,85

Order No.	Main material	Steel code	D	B	L
07161-104X	stainless steel	A2	M4	6,5/8,5/12.5/14/14	10/12/16/20/25
07161-105X	stainless steel	A2	M5	5,8/7,85/11,8/15,8/16/16	10/12/16/20/25/30
07161-106X	stainless steel	A2	M6	4,5/6,5/10,5/14,5/19,5/18/18/18/18/18	10/12/16/20/25/30/35/40/45/50/60
07161-108X	stainless steel	A2	M8	4/5/9/22/22/22/22/22/22/22/22	10/12/16/20/25/30/35/40/45/50/60/70
07161-110X	stainless steel	A2	M10	8/12/17/22/27/26/26/26/26	16/20/25/30/35/40/45/50/60/70
07161-112X	stainless steel	A2	M12	10,5/15,5/30/25,5/30,5/30/30/30	20/25/30/35/40/45/50/60/70
07161-604X	stainless steel	A4	M4	6,5/8,5/12.5/14/14	10/12/16/20/25
07161-605X	stainless steel	A4	M5	5,8/7,85/11,8/15,8/16/16	10/12/16/20/25/30
07161-606X	stainless steel	A4	M6	4,5/6,5/10,5/14,5/19,5/18/18/18/18/18	10/12/16/20/25/30/35/40/45/50/60
07161-608X	stainless steel	A4	M8	4/5/9/22/22/22/22/22/22/22/22	10/12/16/20/25/30/35/40/45/50/60/70
07161-610X	stainless steel	A4	M10	8/12/17/22/27/26/26/26/26	16/20/25/30/35/40/45/50/60/70
07161-612X	stainless steel	A4	M12	10,5/15,5/30/25,5/30,5/30/30/30	20/25/30/35/40/45/50/70

Socket head screws

low head DIN 6912

Socket head screws with low head DIN 6912, steel

Order No. Grade 8.8 steel	Order No. Grade 10.9 steel	D	D1	DK	K	SW	T
07161-04X	-	M4	2	7	2,8	3	1,48
07161-05X	-	M5	2,5	8,5	3,5	4	1,88
07161-06X	07161-306X	M6	3	10	4	5	2,38
07161-08X	07161-308X	M8	4	13	5	6	2,88
07161-10X	07161-310X	M10	5	16	6,5	8	3,35
07161-12X	07161-312X	M12	6	18	7,5	10	3,85
07161-16X	07161-316X	M16	8	24	10	14	5,35
07161-20X	07161-320X	M20	10	30	12	17	6,32

Order No. steel bright	Order No. steel galvanised	Grade	D	B	L
07161-04X	07161-404X	8.8	M4	6,5/8,5/12.5/14	10/12/16/20/25
07161-05X	07161-405X	8.8	M5	5,8/7,85/11,8/15,8/16	10/12/16/20/25/30
07161-06X	07161-406X	8.8	M6	4,5/6,5/10,5/14,5/19,5/18	10/12/16/20/25/30/35/40/45/50/60
07161-08X	07161-408X	8.8	M8	4/5/9/13/22	10/12/16/20/25/30/35/40/45/50/60/70/80
07161-10X	07161-410X	8.8	M10	12/17/22/27/26	20/25/30/35/40/45/50/60/70/80/90/100
07161-12X	07161-412X	8.8	M12	10,5/15,5/20,5/25,5/30,5/30	20/25/30/35/40/45/50/60/70/80/90/100/110/120
07161-16X	07161-416X	8.8	M16	19/24/38	30/35/40/45/50/60/70/80/90/100/110/120
07161-20X	07161-420X	8.8	M20	26/36/46	40/45/50/60/70/80/90/100/110/120
07161-306X	-	10.9	M6	4,5/6,5/10,5/14,5/19,5/18	10/12/16/20/25/30/35/40
07161-308X	-	10.9	M8	9/13/22	16/20/25/30/35/40/45/50/60
07161-310X	-	10.9	M10	12/17/22/27/26	20/25/30/35/40/45/50/60
07161-312X	-	10.9	M12	15,5/20,5/25,5/30,5/30	25/30/35/40/45/50/60
07161-316X	-	10.9	M16	19/24/38	30/35/40/45/50/60/70/80
07161-320X	-	10.9	M20	26/36/46	40/50/60/70