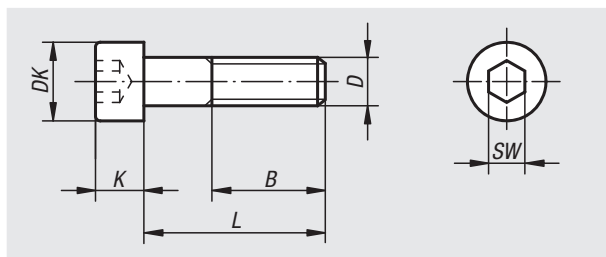


Socket head screws

DIN 912 / DIN EN ISO 4762, steel or stainless steel



Material:

Steel, stainless steel A2 or stainless steel A4.

Version:

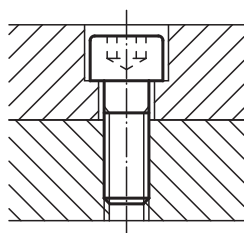
Steel grade 8.8, black or electro zinc-plated.
Steel grade 10.9, black or electro zinc-plated.
Stainless steel A2-70, bright.
Stainless steel A4-70, bright.

Sample order:

nIm 07160-08X40 (include length L)

Note:

Screws where the dimension L is < B are threaded up to the head.
The screw length or thread length is specified by the dimension L.
Screws where L is > B have a shaft.



| Order No. 8.8 | Main material | Main colour | Surface finish body | D | L | B | DK | K | SW |
|------------------|---------------|-------------|---------------------|-----|--|----|-----|----|----|
| 07160-404X | steel | - | galvanised | M4 | 10/12/16/18/20/25 | 20 | 7 | 4 | 3 |
| 07160-405X | steel | - | galvanised | M5 | 10/12/16/18/20/25/30/40 | 22 | 8,5 | 5 | 4 |
| 07160-406X | steel | - | galvanised | M6 | 10/12/16/18/20/25/30/35/40/45/50/55/60 | 24 | 10 | 6 | 5 |
| 07160-408X | steel | - | galvanised | M8 | 16/18/20/25/30/35/40/45/50/60/70/80 | 28 | 13 | 8 | 6 |
| 07160-410X | steel | - | galvanised | M10 | 16/18/20/25/30/35/40/45/50/60/70/80/90/100 | 32 | 16 | 10 | 8 |
| 07160-412X | steel | - | galvanised | M12 | 20/25/30/35/40/45/50/60/70/80/90/100/110/120 | 36 | 18 | 12 | 10 |
| 07160-414X | steel | - | galvanised | M14 | 50/80/120 | 40 | 21 | 14 | 12 |
| 07160-416X | steel | - | galvanised | M16 | 30/35/40/45/50/60/70/80/90/100/110/120 | 44 | 24 | 16 | 14 |
| 07160-420X | steel | - | galvanised | M20 | 40/45/50/60/70/80/90/100/110/120 | 52 | 30 | 20 | 17 |
| 07160-04X | steel | black | - | M4 | 10/12/16/18/20/25 | 20 | 7 | 4 | 3 |
| 07160-05X | steel | black | - | M5 | 10/12/16/18/20/25/30/40 | 22 | 8,5 | 5 | 4 |
| 07160-06X | steel | black | - | M6 | 10/12/16/18/20/25/30/35/40/45/50/55/60 | 24 | 10 | 6 | 5 |
| 07160-08X | steel | black | - | M8 | 16/18/20/25/30/35/40/45/50/60/70/80 | 28 | 13 | 8 | 6 |
| 07160-10X | steel | black | - | M10 | 16/18/20/25/30/35/40/45/50/60/70/80/90/100 | 32 | 16 | 10 | 8 |
| 07160-12X | steel | black | - | M12 | 20/25/30/35/40/45/50/60/70/80/90/100/110/120 | 36 | 18 | 12 | 10 |
| 07160-14X | steel | black | - | M14 | 50/80/120 | 40 | 21 | 14 | 12 |
| 07160-16X | steel | black | - | M16 | 30/35/40/45/50/60/70/80/90/100/110/120 | 44 | 24 | 16 | 14 |
| 07160-20X | steel | black | - | M20 | 40/45/50/60/70/80/90/100/110/120 | 52 | 30 | 20 | 17 |

Socket head screws

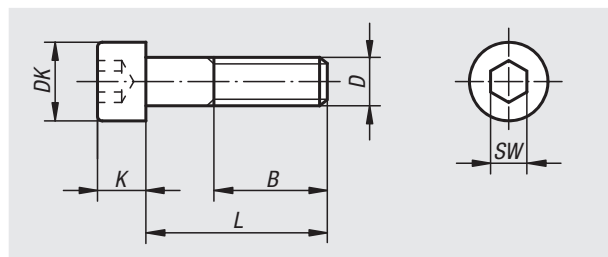
DIN 912 / DIN EN ISO 4762, steel or stainless steel

| Order No. 10.9 | Main material | Main colour | Surface finish body | D | L | B | DK | K | SW |
|-------------------|---------------|-------------|---------------------|-----|--|----|-----|----|----|
| 07160-504X | steel | - | galvanised | M4 | 10/12/16/18/20/25 | 20 | 7 | 4 | 3 |
| 07160-505X | steel | - | galvanised | M5 | 10/12/16/18/20/25/30/40 | 22 | 8,5 | 5 | 4 |
| 07160-506X | steel | - | galvanised | M6 | 10/12/16/18/20/25/30/35/40/45/50/55/60 | 24 | 10 | 6 | 5 |
| 07160-508X | steel | - | galvanised | M8 | 16/20/25/30/35/40/45/50/60/70/80 | 28 | 13 | 8 | 6 |
| 07160-510X | steel | - | galvanised | M10 | 16/18/20/25/30/35/40/45/50/60/70/80/90/100 | 32 | 16 | 10 | 8 |
| 07160-512X | steel | - | galvanised | M12 | 20/25/30/35/40/45/50/60/70/80/90/100/110/120 | 36 | 18 | 12 | 10 |
| 07160-514X | steel | - | galvanised | M14 | 50/80/120 | 40 | 21 | 14 | 12 |
| 07160-516X | steel | - | galvanised | M16 | 30/35/40/45/50/60/70/80/90/100/110/120 | 44 | 24 | 16 | 14 |
| 07160-520X | steel | - | galvanised | M20 | 40/45/50/60/70/80/90/100/110/120 | 52 | 30 | 20 | 17 |
| 07160-304X | steel | black | - | M4 | 10/12/16/18/20/25 | 20 | 7 | 4 | 3 |
| 07160-305X | steel | black | - | M5 | 10/12/16/18/20/25/30/40 | 22 | 8,5 | 5 | 4 |
| 07160-306X | steel | black | - | M6 | 10/12/16/18/20/25/30/35/40/45/50/55/60 | 24 | 10 | 6 | 5 |
| 07160-308X | steel | black | - | M8 | 16/18/20/25/30/35/40/45/50/60/70/80 | 28 | 13 | 8 | 6 |
| 07160-310X | steel | black | - | M10 | 16/18/20/25/30/35/40/45/50/60/70/80/90/100 | 32 | 16 | 10 | 8 |
| 07160-312X | steel | black | - | M12 | 20/25/30/35/40/45/50/60/70/80/90/100/110/120 | 36 | 18 | 12 | 10 |
| 07160-314X | steel | black | - | M14 | 50/80/120 | 40 | 21 | 14 | 12 |
| 07160-316X | steel | black | - | M16 | 30/35/40/45/50/60/70/80/90/100/110/120 | 44 | 24 | 16 | 14 |
| 07160-320X | steel | black | - | M20 | 40/45/50/60/70/80/90/100/110/120 | 52 | 30 | 20 | 17 |

| Order No. | Main material | Steel code | D | L | B | DK | K | SW |
|------------|-----------------|------------|-----|--|----|-----|----|----|
| 07160-104X | stainless steel | A2 | M4 | 10/12/16/18/20/25 | 20 | 7 | 4 | 3 |
| 07160-105X | stainless steel | A2 | M5 | 10/12/16/18/20/25/30/40 | 22 | 8,5 | 5 | 4 |
| 07160-106X | stainless steel | A2 | M6 | 10/12/16/18/20/25/30/35/40/45/50/55/60 | 24 | 10 | 6 | 5 |
| 07160-108X | stainless steel | A2 | M8 | 16/18/20/25/30/35/40/45/50/60/70/80 | 28 | 13 | 8 | 6 |
| 07160-110X | stainless steel | A2 | M10 | 16/18/20/25/30/35/40/45/50/60/70/80/90/100 | 32 | 16 | 10 | 8 |
| 07160-112X | stainless steel | A2 | M12 | 20/25/30/35/40/45/50/60/70/80/90/100/110/120 | 36 | 18 | 12 | 10 |
| 07160-114X | stainless steel | A2 | M14 | 50/80/120 | 40 | 21 | 14 | 12 |
| 07160-116X | stainless steel | A2 | M16 | 30/35/40/45/50/60/70/80/90/100/110/120 | 44 | 24 | 16 | 14 |
| 07160-120X | stainless steel | A2 | M20 | 40/45/50/60/70/80/90/100/110/120 | 52 | 30 | 20 | 17 |
| 07160-604X | stainless steel | A4 | M4 | 10/12/16/18/20/25 | 20 | 7 | 4 | 3 |
| 07160-605X | stainless steel | A4 | M5 | 10/12/16/18/20/25/30/40 | 22 | 8,5 | 5 | 4 |
| 07160-606X | stainless steel | A4 | M6 | 10/12/16/18/20/25/30/35/40/45/50/55/60 | 24 | 10 | 6 | 5 |
| 07160-608X | stainless steel | A4 | M8 | 16/18/20/25/30/35/40/45/50/60/70/80 | 28 | 13 | 8 | 6 |
| 07160-610X | stainless steel | A4 | M10 | 16/18/20/25/30/35/40/45/50/60/70/80/90/100 | 32 | 16 | 10 | 8 |
| 07160-612X | stainless steel | A4 | M12 | 20/25/30/35/40/45/50/60/70/80/90/100/110/120 | 36 | 18 | 12 | 10 |
| 07160-614X | stainless steel | A4 | M14 | 50/80/120 | 40 | 21 | 14 | 12 |
| 07160-616X | stainless steel | A4 | M16 | 30/35/40/45/50/60/70/80/90/100/110/120 | 44 | 24 | 16 | 14 |
| 07160-620X | stainless steel | A4 | M20 | 40/45/50/60/70/80/90/100/110/120 | 52 | 30 | 20 | 17 |

Socket head screws

DIN 912/DIN EN ISO 4762



Material:

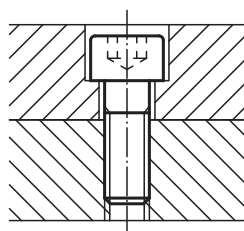
Steel.

Version:

Steel grade 12.9, black.

Sample order:

nIm 07160-206X40 (include length L)



| Order No. | D | B | DK | K | L | SW |
|------------|-----|----|----|----|--|----|
| 07160-206X | M6 | 24 | 10 | 6 | 18/20/25/30/35/40/45/50/55/60/65/70/80/90/100 | 5 |
| 07160-208X | M8 | 28 | 13 | 8 | 20/25/30/35/40/45/50/55/60/65/70/80/90/100/120 | 6 |
| 07160-210X | M10 | 32 | 16 | 10 | 30/35/40/45/50/55/60/65/70/75/80/90/100/110/120/130/140 | 8 |
| 07160-212X | M12 | 36 | 18 | 12 | 30/35/40/45/50/55/60/65/70/75/80/90/100/110/120/130/140 | 10 |
| 07160-216X | M16 | 44 | 24 | 16 | 35/40/45/50/55/60/65/70/75/80/90/100/110/120/130/140/150/160/170/180/200 | 14 |
| 07160-218X | M18 | 48 | 27 | 18 | 35/40/45/50/55/60/65/70/75/80/90/100/110/120/130/140/150/160/170/180/200 | 14 |
| 07160-220X | M20 | 52 | 30 | 20 | 40/45/50/55/60/65/70/75/80/90/100/110/120/130/140/150/160/170/180/200 | 17 |

Socket head screws

DIN 912 / EN ISO 4762, LONG-LOK secured



Material:

Steel or stainless steel (A 2).

LONG-LOK thread lock nylon.

Version:

Steel grade 8.8, black.

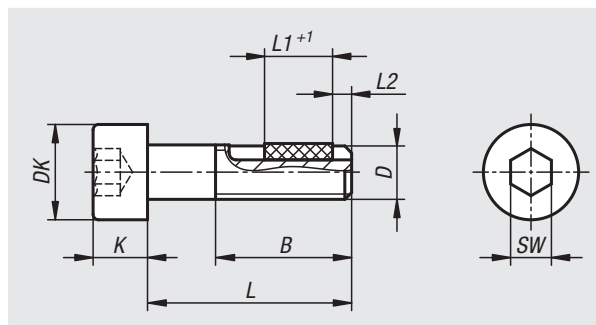
Stainless steel A 2-70, bright.

Sample order:

nIm 07160-306X20 (include length L)

Drawing reference:

L2 = approx. 2x thread pitch



| Order No. steel | Order No. stainless steel | D | B | DK | K | L | L1 | SW | Tightening torque approx. Nm | Loosening torque approx. Nm |
|--------------------|------------------------------|-----|------|-----|----|-------------------------------|-------------------|----|---------------------------------|--------------------------------|
| 07160-804X | 07160-904X | M4 | - | 7 | 4 | 10/12/16/20/25 | 5/5/6/7/7 | 3 | 0,15 | 0,22 |
| 07160-805X | 07160-905X | M5 | -/22 | 8,5 | 5 | 10/12/16/20/25/30/40 | 5/6/7/7/8/8/8 | 4 | 0,25 | 0,1 |
| 07160-806X | 07160-906X | M6 | -/24 | 10 | 6 | 10/12/16/20/25/30/35/40/45/50 | 5/6/7/7/8/8/8/8/8 | 5 | 0,45 | 0,25 |
| 07160-808X | 07160-908X | M8 | -/28 | 13 | 8 | 16/20/25/30/35/40/45 | 7/8/8/8/10/10/10 | 6 | 0,8 | 0,4 |
| 07160-810X | 07160-910X | M10 | -/32 | 16 | 10 | 25/30/40/50 | 10/10/12/12 | 8 | 1,7 | 0,9 |
| 07160-812X | 07160-912X | M12 | - | 18 | 12 | 30/40/50 | 10/12/12 | 10 | 1,8 | 0,9 |