

## Torque screws

with ball thrust points

**Material:**  
Steel.

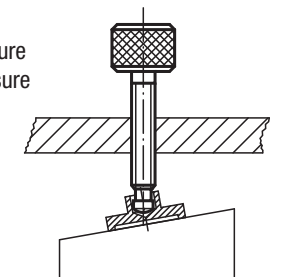
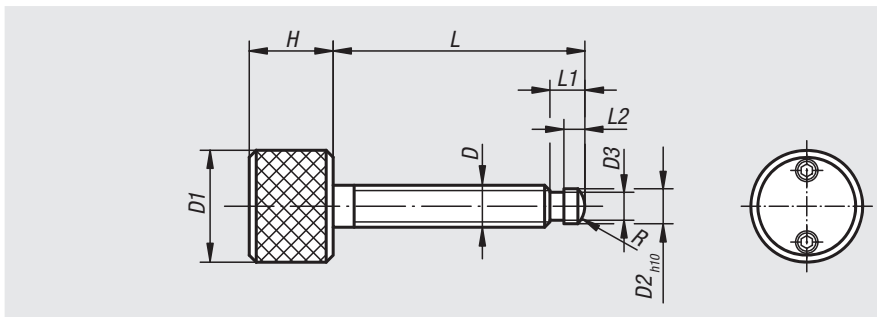
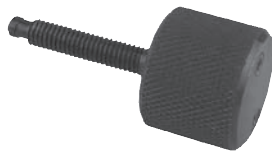
**Version:**  
Black oxidised.

**Sample order:**  
nlm 07134-08X60 (include length L)

**Note:**  
The torque required for the knurled screw is generated by two spring-mounted thrust balls.  
As soon as the adjustable final pressure is reached, the grip runs free.  
The final pressure is set using the set screws located in the head.  
These torque screws are particularly useful when used together with thrust pads (07138, 07140 or 07141) for clamping sloping surfaces.

**Forces:**

F1 = Minimum final pressure  
F2 = Maximum final pressure



Order No.	D	D1	D2	D3	H	L	L1	L2	F1 N	F2 N	R
07134-06X	M6	25	4,5	4,1	20	40/60	6	2,5	40	800	3
07134-08X	M8	25	6	5,3	20	60/80	7,5	3	40	650	5
07134-10X	M10	25	8	7,2	20	60/80	9	4,5	40	550	6
07134-12X	M12	25	8	7,2	20	80/100	10	4,5	40	450	6

## Thrust pads



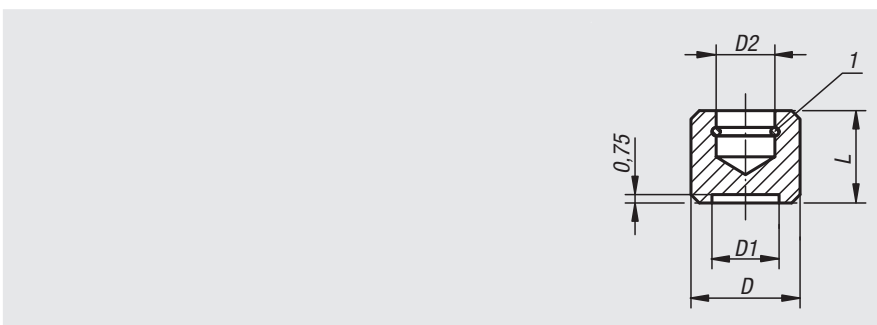
**Material:**  
Thrust pad steel.  
Snap ring spring steel.

**Version:**  
Surface hardened and black oxidised.

**Sample order:**  
nlm 07138-10

**Note:**  
These thrust pads press lightly onto torque screws with ball thrust pins (07134) or grub screws with thrust pins (07120).  
The ball end allows the thrust pad to adapt to the clamping surface.

**Drawing reference:**  
1) snap ring



Order No.	D	D1	D2	L	Suitable for
07138-10	10	5	4,5	8	07120-06, 07134-06
07138-12	12	6	6	9	07120-08, 07134-08
07138-14	14	8	8	11	07120-10, 07120-12, 07134-1