

Grub screws

with thrust point DIN 6332



Material:

Steel or stainless steel.

Version:

Steel: thrust point case-hardened, black.

Stainless steel: bright.

Sample order:

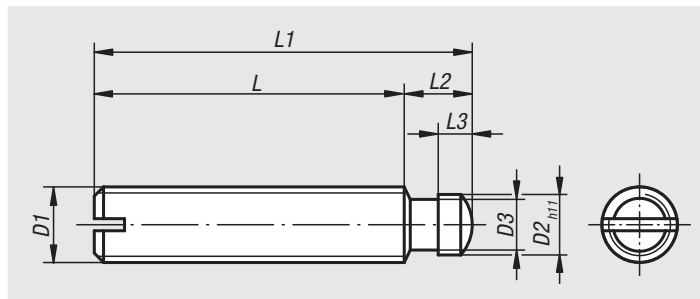
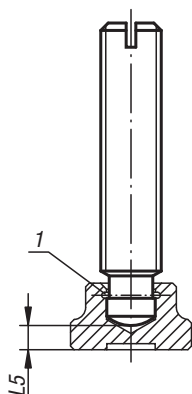
nIm 07120-12X60 (include length L1)

Note:

The thrust pin of the DIN 6332 grub screws is designed for direct clamping and for use together with thrust pads 07140.

Drawing reference:

1) snap ring



Order No. steel	Order No. stainless steel	D1	L1	D2	D3	L	L2	L3	L5
07120-06X	07120-061X	M6	30/35/40/50	4,5	4	24	6	2,5	2,2
07120-08X	07120-081X	M8	35/40/45/50/60	6	5,4	27,5	7,5	3	3
07120-10X	07120-101X	M10	50/55/60/65/80	8	7,2	41	9	4,5	3,6
07120-12X	07120-121X	M12	60/65/70/80/100	8	7,2	50	10	4,5	4,5
07120-14X	07120-141X	M14	60/80/100	10	9	48	12	5	5
07120-16X	07120-161X	M16	65/70/80/100/125	12	11	53	12	5	5,3
07120-20X	07120-201X	M20	80/90/100/125/150	15,5	14,4	66	14	5,5	5,6

Grub screws

with ball thrust point



Material:

Steel grade 5.8.

Version:

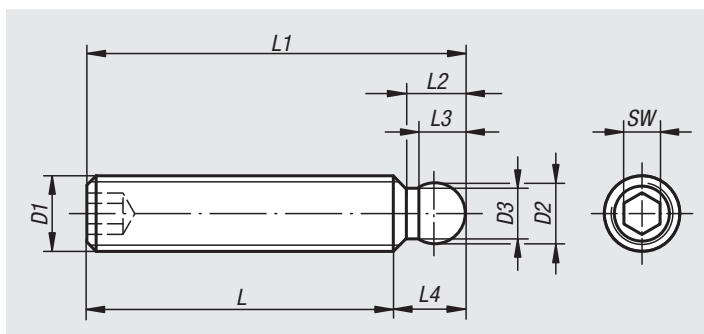
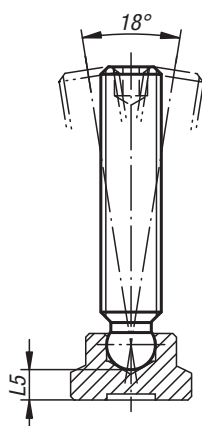
Black oxidised.

Sample order:

nIm 07121-06X50 (include length L1)

Note:

These grub screws are used together with the thrust pads 07142 for clamping.



Order No.	D1	L1	D2	D3	L	L2	L3	L4	L5	SW
07121-06X	M6	30/35/40/50	4,5	3,5	24,5	4,3	3,7	5,5	3,8	3
07121-08X	M8	35/40/45/50/60	6	4,8	27,6	5,8	4,8	7,4	4,4	4
07121-10X	M10	50/55/60/65/80	8	6,5	41	7,2	6,3	9	5	5
07121-12X	M12	60/65/70/80	8	6,5	50,2	7,2	6,3	9,8	6,9	6