

Grippers adjustable


Material:

Hardened tool steel or carbide.

Version:

Black oxidised.

Sample order:

nln 07117-5012

Note:

The full thread on the grippers allows exact adjustment to the clamping application.

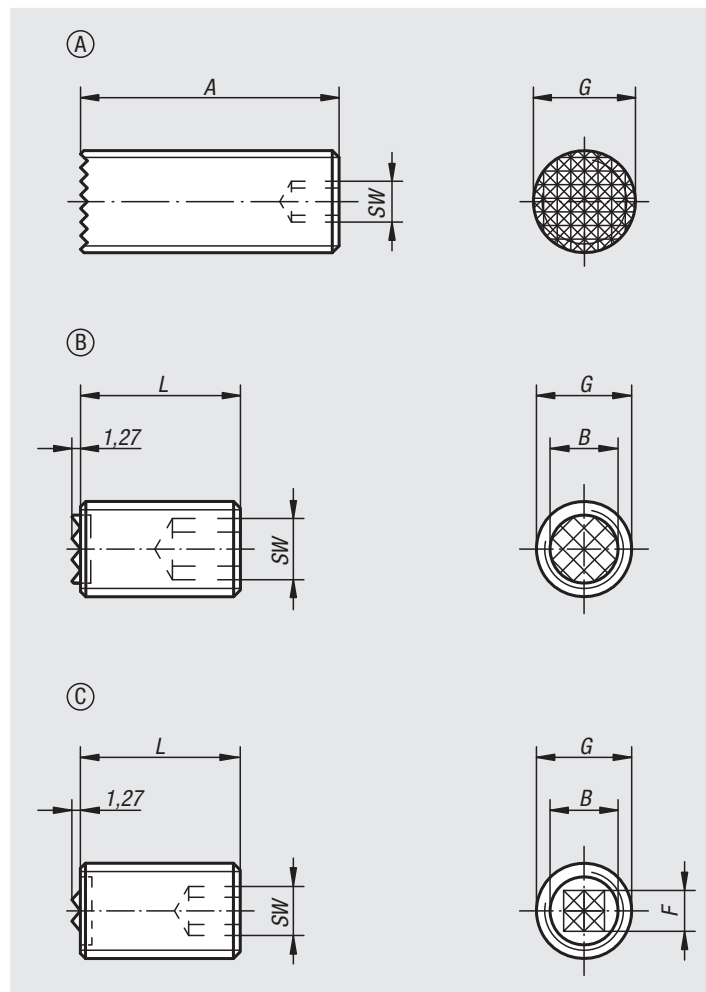
The carbide tips are soldered in.

Drawing reference:

Form A: tool steel

Form B: tool steel, carbide diamond grip

Form C: 4-point carbide insert



Order No.	Form	A	L	B	G	F	SW
07117-4010	A	40	-	-	M10	-	3
07117-4012	A	40	-	-	M12	-	5
07117-4016	A	40	-	-	M16	-	6
07117-4020	A	40	-	-	M20	-	8
07117-2510	B	-	25	6,4	M10	-	5
07117-5010	B	-	50	6,4	M10	-	5
07117-2512	B	-	25	7,9	M12	-	6
07117-5012	B	-	50	7,9	M12	-	6
07117-2516	B	-	25	11,2	M16	-	8
07117-5016	B	-	50	11,2	M16	-	8
07117-2520	B	-	25	12,7	M20	-	10
07117-5020	B	-	50	12,7	M20	-	10
07117-25124	C	-	25	7,9	M12	6,5	6
07117-50124	C	-	50	7,9	M12	6,5	6
07117-25164	C	-	25	11,2	M16	8	8
07117-50164	C	-	50	11,2	M16	8	8
07117-25204	C	-	25	12,7	M20	8	10
07117-50204	C	-	50	12,7	M20	8	10