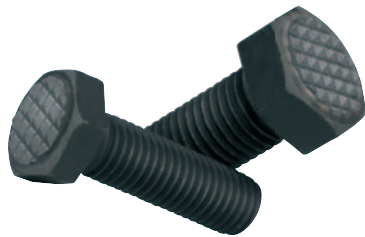


Grippers hexagonal


Material:

Hex head screw, grade 10.9.
Serrations carbide, hardness 72-74 HRC.

Version:

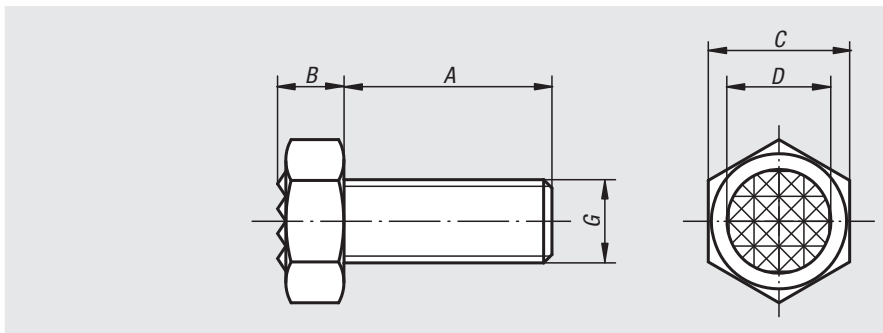
Black oxidised.

Sample order:

nln 07114-1710

Note:

The serrated carbide tips are soldered in.



Order No.	A	B	C	D	G	Serration
07114-1006	25	5	10	7,9	M6	extra fine
07114-1308	25	6,4	13	9,5	M8	fine
07114-1710	25	8,3	17	12,7	M10	fine
07114-17102	40	8,3	17	12,7	M10	fine
07114-1912	25	8,7	19	15,9	M12	fine
07114-19122	40	8,7	19	15,9	M12	fine
07114-2416	35	11	24	19	M16	fine
07114-24162	50	11	24	19	M16	fine
07114-3020	40	13,7	30	25,4	M20	extra fine
07114-30202	60	13,7	30	25,4	M20	extra fine

Application: norelem grippers

