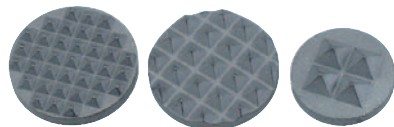


Gripper pads round

carbide



Material:

Carbide.

Version:

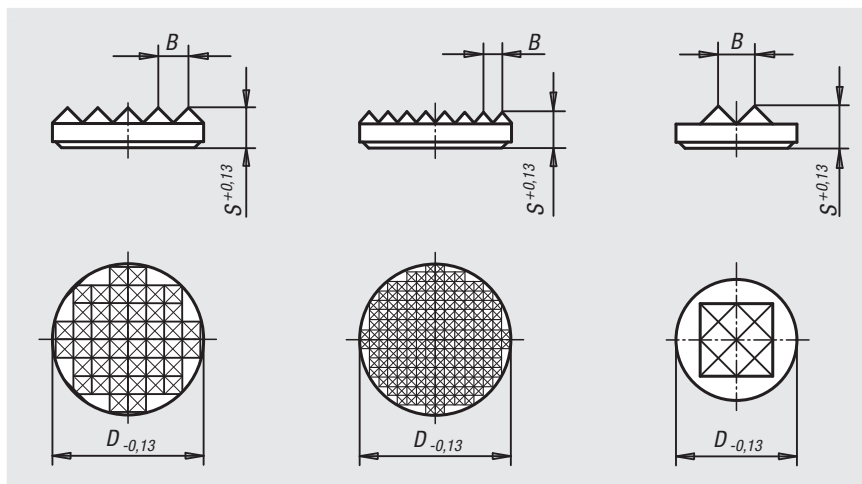
sintered.

Sample order:

nIm 07112-211

Note:

These carbide gripper pads are available as 4-point or serrated. They have many uses i.e. they can be glued onto cast iron base plates.



Order No.	Version 2	D	S	B
07112-110	serrated	6,35	3,2	2,3
07112-111	serrated	7,9	3,2	2,3
07112-112	serrated	9,5	3,2	3
07112-113	serrated	12,7	3,2	3
07112-114	serrated	19,05	3,2	3
07112-211	fine serrated	7,9	3,2	1,5
07112-212	fine serrated	9,5	3,2	2,3
07112-213	fine serrated	12,7	3,2	2,3
07112-214	fine serrated	19,05	3,2	2,3
07112-215	fine serrated	25,4	4	2,3
07112-411	4-point contact	7,9	3,2	3
07112-412	4-point contact	9,5	3,2	3
07112-413	4-point contact	12,7	4	3,5