

Ball-end thrust screws without head

with full ball, LONG-LOK secured



Material:

Screw carbon steel, grade 10.9
Ball, ball-bearing steel or POM.
LONG-LOK thread lock nylon.

Version:

Screw black.
Ball hardened, bright.

Sample order:

nIm 07105-1046

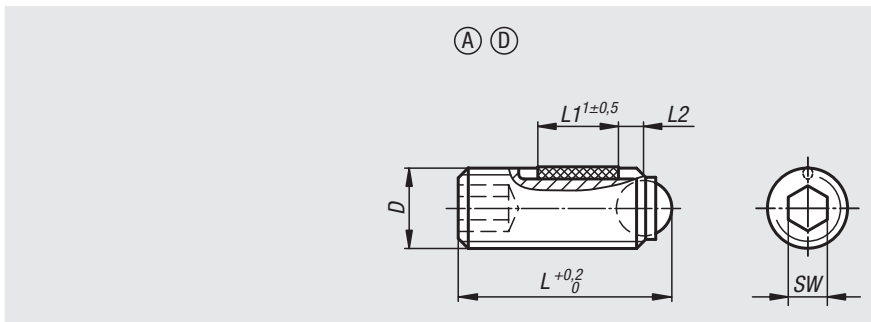
Note:

Ball-end thrust screws with full ball are used when a clean, polished contact surface is required.

Drawing reference:

Form A: steel ball
Form D: POM ball

L2 = approx. 2x pitch



Order No. Form A	Order No. Form D	D	L	L1	Ball-Ø	SW	Load rating max. kN (static load only)
07105-1046	07105-3046	M4	6	2,5	2,5	2	3,5/0,3
07105-10410	07105-30410	M4	10	3,5	2,5	2	3,5/0,3
07105-10416	07105-30416	M4	16	5	2,5	2	3,5/0,3
07105-1058	07105-3058	M5	8	3,5	3	2,5	4,5/0,5
07105-10512	07105-30512	M5	12	5	3	2,5	4,5/0,5
07105-10520	07105-30520	M5	20	6	3	2,5	4,5/0,5
07105-10610	07105-30610	M6	10,8	3,5	4	3	9/0,9
07105-10616	07105-30616	M6	16,8	7	4	3	9/0,9
07105-10620	07105-30620	M6	20,8	7	4	3	9/0,9
07105-10625	07105-30625	M6	25,8	7	4	3	9/0,9
07105-10650	-	M6	50,8	7	4	3	9
07105-10660	-	M6	60,8	7	4	3	9
07105-10810	07105-30810	M8	11,2	3,5	5,5	4	10/1,5
07105-10812	07105-30812	M8	13,2	5	5,5	4	10/1,5
07105-10820	07105-30820	M8	21,2	8	5,5	4	15/1,5
07105-10825	07105-30825	M8	26,2	8	5,5	4	15/1,5
07105-10830	07105-30830	M8	31,2	8	5,5	4	15/1,5
07105-10850	-	M8	51,2	8	5,5	4	15
07105-10860	-	M8	61,2	8	5,5	4	15
07105-10880	-	M8	81,2	8	5,5	4	15
07105-11012	07105-31012	M10	13,7	5	7	5	20/2
07105-11016	07105-31016	M10	17,7	9	7	5	20/2
07105-11020	07105-31020	M10	21,7	9	7	5	20/2
07105-11025	07105-31025	M10	26,7	9	7	5	20/2
07105-11035	07105-31035	M10	36,7	9	7	5	20/2
07105-11216	07105-31216	M12	18	8	8,5	6	30/3
07105-11220	07105-31220	M12	22	10	8,5	6	30/3
07105-11230	07105-31230	M12	32	10	8,5	6	30/3
07105-11240	07105-31240	M12	42	10	8,5	6	30/3
07105-11620	-	M16	23,3	10	12	8	60
07105-11625	-	M16	28,3	14	12	8	60
07105-11635	-	M16	38,3	14	12	8	60
07105-11650	-	M16	53,3	14	12	8	60

Ball-end thrust screws without head

with flattened ball LONG-LOK secured



Material:

Screw carbon steel, grade 10.9
Ball, ball-bearing steel.
LONG-LOK thread lock nylon.

Version:

Screw black.
Ball hardened, bright.

Sample order:

nIm 07105-20610

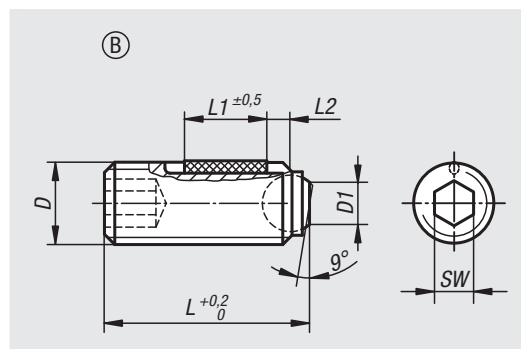
Note:

Surfaces which are not flat and parallel can be firmly clamped or supported with a flattened ball, the movable ball can adapt itself up to 9°.

Drawing reference:

Form B: with flattened ball

L2 = approx. 2x pitch



Order No. Form B	D	D1	L	L1	Ball-Ø	SW	Load rating max. kN (static load only)
07105-20610	M6	3	10,1	3,5	4	3	9
07105-20616	M6	3	16,1	7	4	3	9
07105-20620	M6	3	20,1	7	4	3	9
07105-20625	M6	3	25,1	7	4	3	9
07105-20650	M6	3	50,1	7	4	3	9
07105-20660	M6	3	60,1	7	4	3	9
07105-20810	M8	4,1	10,3	3,5	5,5	4	10
07105-20812	M8	4,1	12,3	5	5,5	4	10
07105-20820	M8	4,1	20,3	8	5,5	4	15
07105-20825	M8	4,1	25,3	8	5,5	4	15
07105-20830	M8	4,1	30,3	8	5,5	4	15
07105-20850	M8	4,1	50,3	8	5,5	4	15
07105-20860	M8	4,1	60,3	8	5,5	4	15
07105-20880	M8	4,1	80,3	8	5,5	4	15
07105-21012	M10	5,6	12,3	5	7	5	20
07105-21016	M10	5,6	16,3	9	7	5	20
07105-21020	M10	5,6	20,3	9	7	5	20
07105-21025	M10	5,6	25,3	9	7	5	20
07105-21035	M10	5,6	35,3	9	7	5	20
07105-21216	M12	7	16,2	8	8,5	6	30
07105-21220	M12	7	20,2	10	8,5	6	30
07105-21230	M12	7	30,2	10	8,5	6	30
07105-21240	M12	7	40,2	10	8,5	6	30
07105-21620	M16	10,7	20	10	12	8	60
07105-21625	M16	10,7	25	14	12	8	60
07105-21635	M16	10,7	35	14	12	8	60
07105-21650	M16	10,7	50	14	12	8	60