

Nuts for T-slots

rhombic form



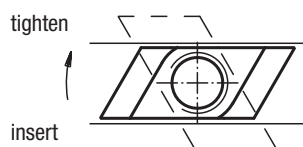
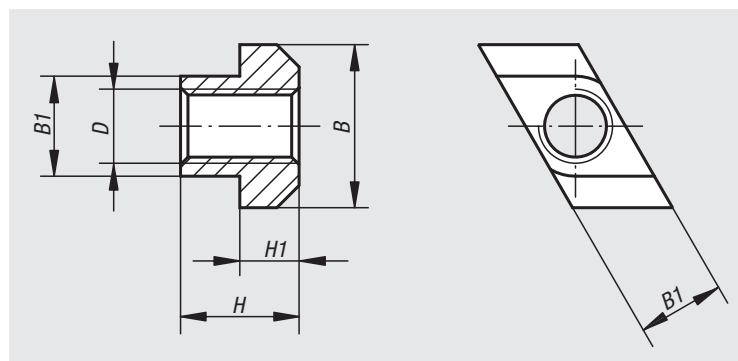
Material:
Carbon steel.

Version:
Tempered to 8 and black oxidised.

Sample order:
nlm 07080-114

Note:
The benefit of rhombic nuts for T-slots is that they can be fitted in the slot from the top. They are particularly useful for long T-slots, or when the configuration on the machine table does not permit clamping screws or nuts for T-slots to be inserted from the side.

Application:
Insert from above then twist in the slot until it stops.



Order No.	Slot width	B	B1	D	H	H1
07080-105	6	10	5,6	M5	8	4
07080-106	8	13	7,6	M6	10	6
07080-108	10	15	9,7	M8	12	6
07080-110	12	18	11,7	M10	14	7
07080-210	14	22	13,5	M10	16	8
07080-310	18	28	17,5	M10	20	10
07080-112	14	22	13,7	M12	16	8
07080-114	16	25	15,7	M14	18	9
07080-116	18	28	17,7	M16	20	10
07080-216	20	32	19,7	M16	24	12
07080-316	22	35	21,5	M16	28	14
07080-416	28	44	27,5	M16	36	18
07080-118	20	32	19,7	M18	24	12
07080-120	22	35	21,7	M20	28	14
07080-124	28	44	27,7	M24	36	18
07080-130	36	54	35,6	M30	44	22
07080-136	42	65	41,5	M36	52	26