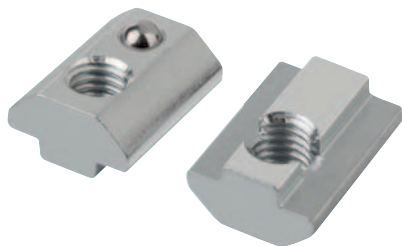


Slot nuts

strong Type I

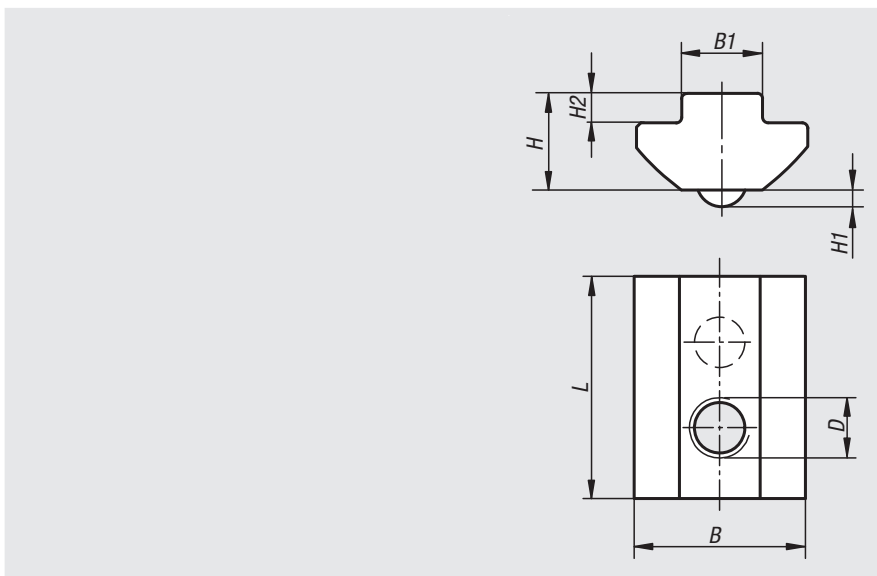


Material:
Steel.

Version:
Electro zinc-plated.

Sample order:
nlm 07075-0804

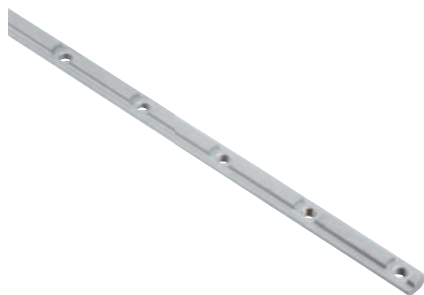
Note:
Suitable for high load connections. Since the key passes to the slot form of the profile, forces are transferred to the profile. The total height allows more threads to be engaged. The slot key can only be inserted into the profile slot from the end. The spring-loaded ball allows the slot key to be fixated anywhere in the profile slot.



Order No.	Slot width	B	B1	D	H	H1	H2	L
07075-0804	8	17	8	M4	9,6	1,65	2,9	22
07075-0805	8	17	8	M5	9,6	1,65	2,9	22
07075-0806	8	17	8	M6	9,6	1,65	2,9	22
07075-0808	8	17	8	M8	9,6	1,65	2,9	22

Slot key profile

type I

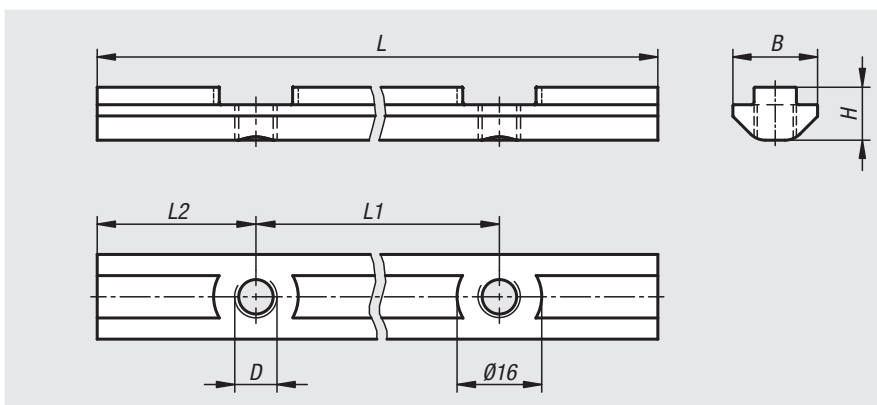


Material:
Steel.

Version:
Coated.

Sample order:
nlm 07076-084008X1000

Note:
The slot profiles has a tapped hole pitch of 40 mm or 60 mm.
The profiles are particularly suitable for maintaining a constant centre distance by the bearing flanges 10400 for transport rollers.



Order No.	Slot width	B	D	H	L	L1	L2	No. of holes
07076-084008X1000	8	16	M8	9,5	1000	40	20	25
07076-086008X1000	8	16	M8	9,5	1000	60	30	17