

Item description/product images



Description

Material:

Steel.

Version:

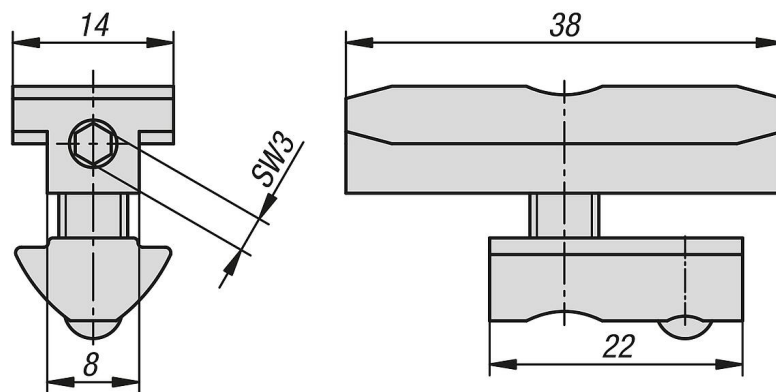
Electro zinc-plated.

Note:

For the crosswise or parallel connection of two aluminium profiles without the need for machining.

Also suitable for mounting socket strips and LED lamps.

Drawings



Overview of items

Order No.	Slot width	Product type
07075-01-0806	8	for aluminium profile type I