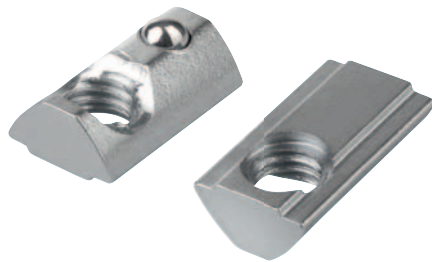


Slot nuts

twist-in, keyed Type I



Material:

Steel.

Version:

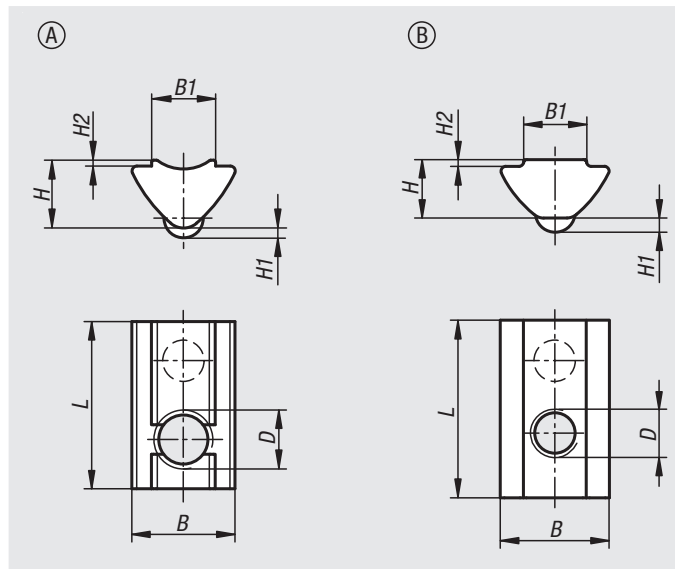
Electro zinc-plated.

Sample order:

nIm 07073-0604

Note:

The slot nut is twisted into the profile slot and so can be subsequently inserted into existing systems. The spring-loaded ball allows the nut to be fixated anywhere in the profile slot. The key centres the nut in the profile slot and keeps it neatly seated.



Order No.	Form	Slot width	D	B	B1	H	H1	H2	L
07073-0604	A	6	M4	10,5	6,5	6,9	1	0,6	17
07073-0605	A	6	M5	10,5	6,5	6,9	1	0,6	17
07073-0606	A	6	M6	10,5	6,5	6,9	1	0,6	17
07073-0803	B	8	M3	13,5	7,8	7,2	1,75	0,8	22
07073-0804	B	8	M4	13,5	7,8	7,2	1,75	0,8	22
07073-0805	B	8	M5	13,5	7,8	7,2	1,75	0,8	22
07073-0806	B	8	M6	13,5	7,8	7,2	1,75	0,8	22
07073-0808	B	8	M8	13,5	7,8	7,2	1,75	0,8	22