

# Recessed grips

clip-in



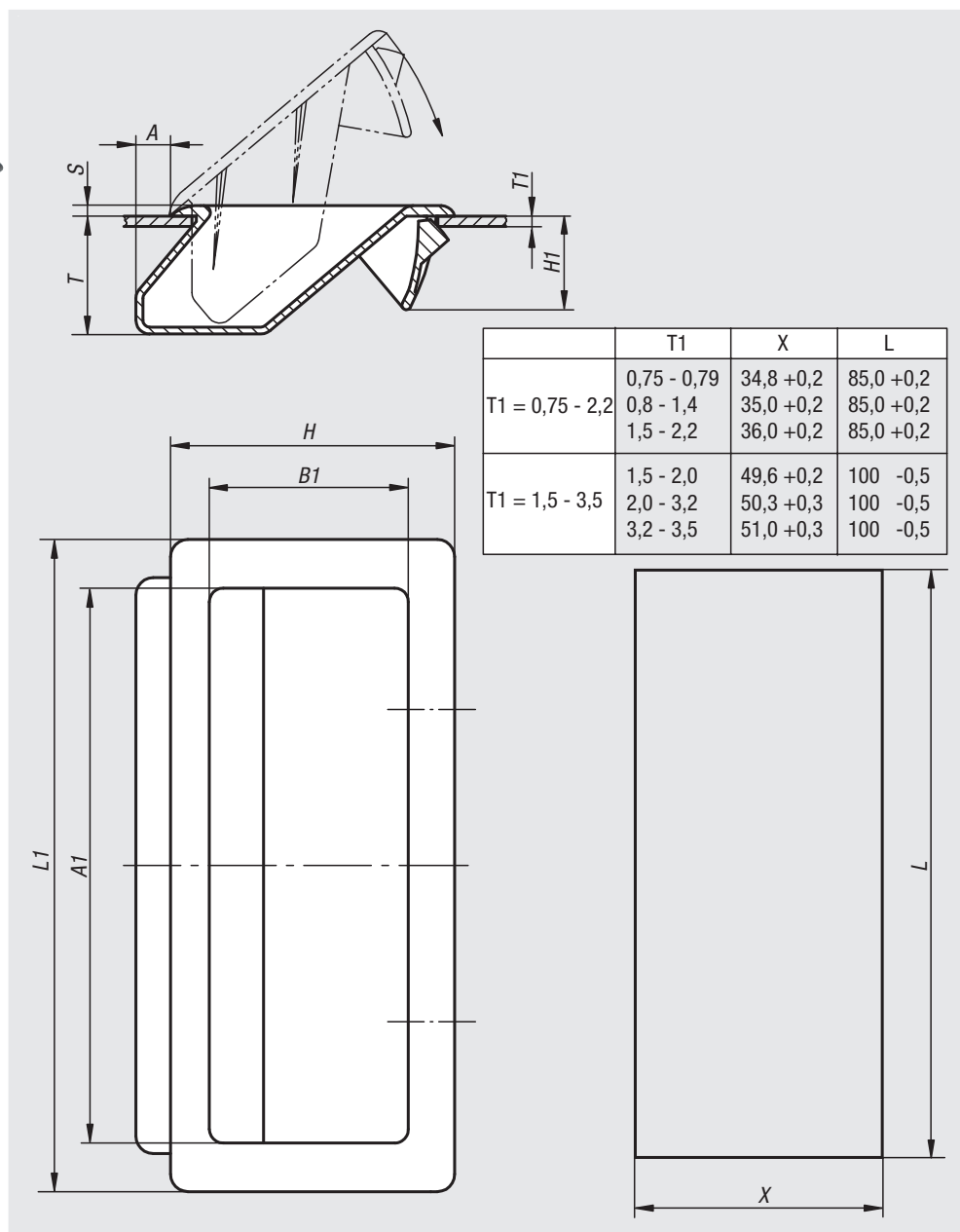
**Material:**  
Polyamide.

**Version:**  
black.

**Sample order:**  
nlm 06966-01-09441

**Note:**  
Recessed grips for clipping into material with a thickness 0.75 to 3.5 mm.

See drawing for installation cut-out dimensions for the various material thicknesses.



Order No.	A	A1	B1	H	H1	L1	S	T
06966-01-09441	5	80	28,7	41	13,5	94	1,5	17
06966-01-11057	10	94	40,3	57	18,65	110	2	26