

Pull handles

open-ended screw on



Material:

Glass-bead reinforced thermoplastic.
Fastening material 1.4301.

Version:

Matt black with fine texture.

Sample order:

nIm 06959-12805

Note:

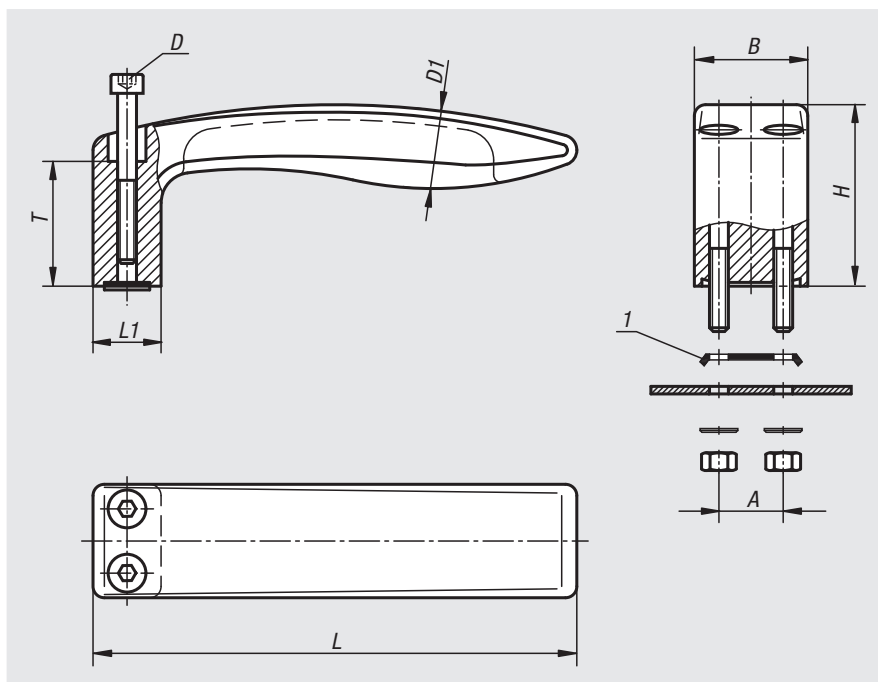
These open-ended handles can be mounted right or left. They are form stable and have a high load rating. Fastening bolts, nuts and washers are supplied as is a locking plate to prevent twisting.

Assembly:

From the front.

Drawing reference:

1) locking plate



Order No.	A	B	D	D1	H	L	L1	T	Load capacity N
06959-12805	17	30	M5x45	20	48	128	18	33	800
06959-15606	20	36	M6x55	24	58	156	22	40	1000