

Tubular handles angled


Material:

Grip aluminium EN AW-6060 or stainless steel 1.4301.
 Legs polyamide glass-bead reinforced.
 Bushing brass.

Version:

Grip natural colour, black anodised or finely ground
 stainless steel.
 Legs matt black.

Sample order:

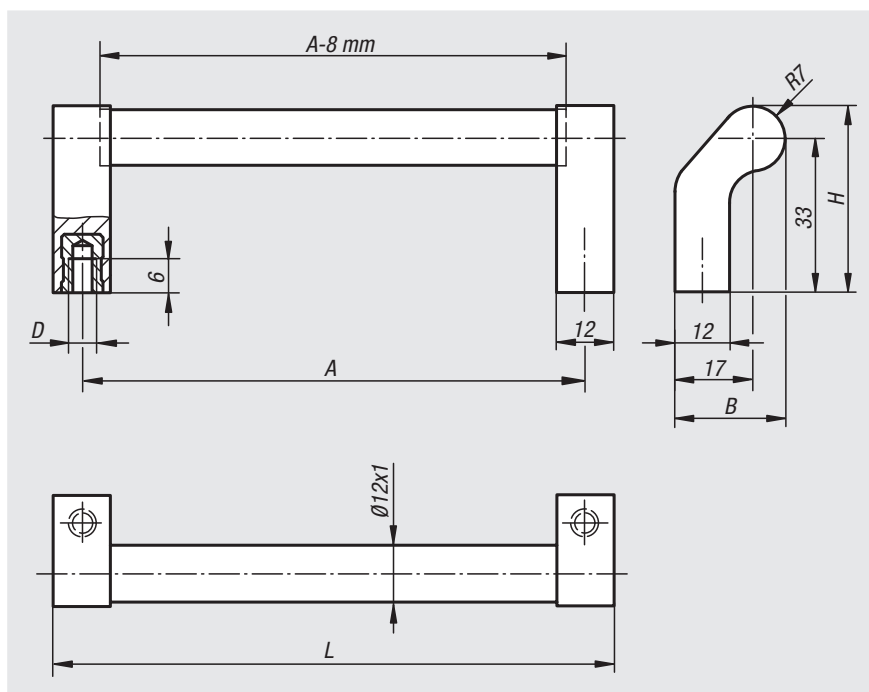
nIm 06956-088041

Note:

Clamping webs give a precision fit of tube to legs.

Assembly:

From the rear.



Order No.	Main material	Main colour	A	B	D	H	L	Load capacity N
06956-088041	aluminium	natural anodised	88	24	M4	40	100	200
06956-096041	aluminium	natural anodised	96	24	M4	40	108	200
06956-120041	aluminium	natural anodised	120	24	M4	40	132	200
06956-128041	aluminium	natural anodised	128	24	M4	40	140	200
06956-160041	aluminium	natural anodised	160	24	M4	40	172	200
06956-180041	aluminium	natural anodised	180	24	M4	40	192	200
06956-088042	aluminium	black anodised	88	24	M4	40	100	200
06956-096042	aluminium	black anodised	96	24	M4	40	108	200
06956-120042	aluminium	black anodised	120	24	M4	40	132	200
06956-128042	aluminium	black anodised	128	24	M4	40	140	200
06956-160042	aluminium	black anodised	160	24	M4	40	172	200
06956-180042	aluminium	black anodised	180	24	M4	40	192	200
06956-088043	stainless steel	ground	88	24	M4	40	100	200
06956-096043	stainless steel	ground	96	24	M4	40	108	200
06956-120043	stainless steel	ground	120	24	M4	40	132	200
06956-128043	stainless steel	ground	128	24	M4	40	140	200
06956-160043	stainless steel	ground	160	24	M4	40	172	200
06956-180043	stainless steel	ground	180	24	M4	40	192	200