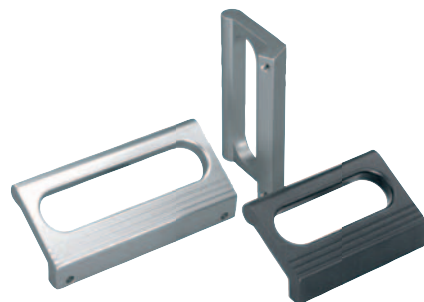


Ledge handles


Material:

Profile aluminium EN AW-6060

Version:

Matt-gloss anodised.

Sample order:

nIm 06952-086061

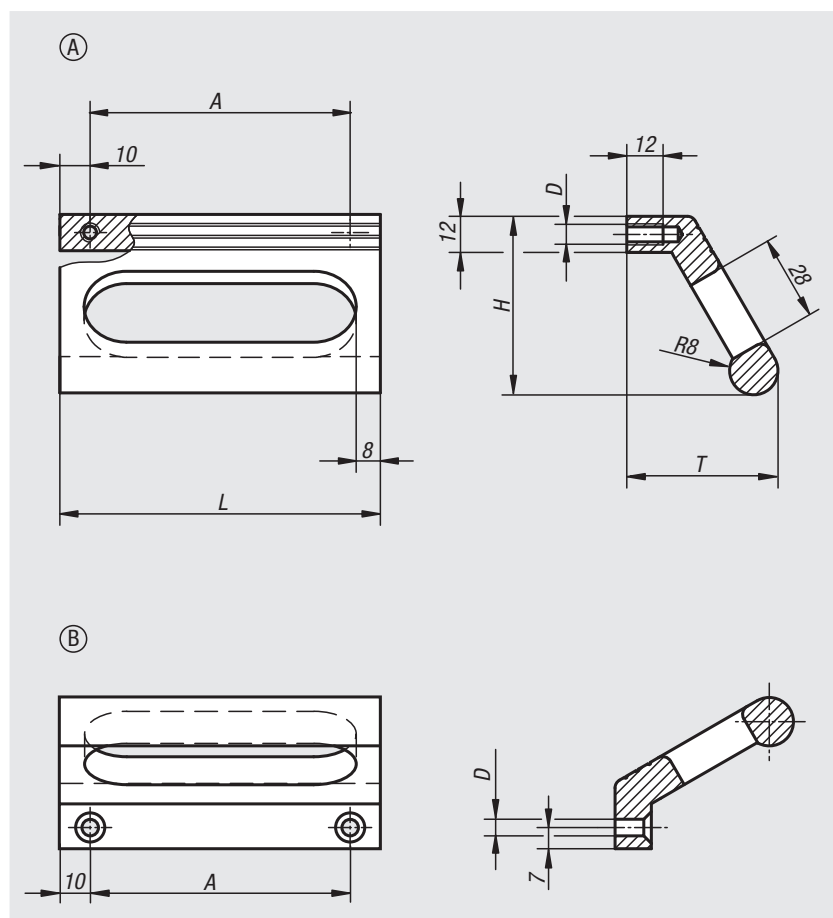
Note:

These ledge handles are available with M6 internal thread or with through hole for M5 countersunk screws for front mounting.

Assembly:

Form A from the rear.

Form B from the front.



| Order No. | Form | Main colour | A | D | H | L | T | Load capacity N |
|--------------|------|------------------|-----|-----|----|-----|----|-----------------|
| 06952-086061 | A | black anodised | 86 | M6 | 59 | 106 | 50 | 500 |
| 06952-100061 | A | black anodised | 100 | M6 | 59 | 120 | 50 | 500 |
| 06952-120061 | A | black anodised | 120 | M6 | 59 | 140 | 50 | 500 |
| 06952-086063 | A | natural anodised | 86 | M6 | 59 | 106 | 50 | 500 |
| 06952-100063 | A | natural anodised | 100 | M6 | 59 | 120 | 50 | 500 |
| 06952-120063 | A | natural anodised | 120 | M6 | 59 | 140 | 50 | 500 |
| 06952-086051 | B | black anodised | 86 | 5,5 | 59 | 106 | 50 | 500 |
| 06952-100051 | B | black anodised | 100 | 5,5 | 59 | 120 | 50 | 500 |
| 06952-120051 | B | black anodised | 120 | 5,5 | 59 | 140 | 50 | 500 |
| 06952-086053 | B | natural anodised | 86 | 5,5 | 59 | 106 | 50 | 500 |
| 06952-100053 | B | natural anodised | 100 | 5,5 | 59 | 120 | 50 | 500 |
| 06952-120053 | B | natural anodised | 120 | 5,5 | 59 | 140 | 50 | 500 |