

Tubular handles "Bighand"



The newly designed Bighand tubular handle with its ergonomic oval shape and selected tube size provides a secure and comfortable grip. Its timeless elegant design makes it attractive and the variable colour scheme means it can be optimally adapted to its surroundings.

Material:

Oval tube aluminium.
End piece thermoplastic polyamide.
End cap thermoplastic polyamide.
Adapter bush stainless steel.

Version:

Oval tube black grey powder-coated (glossy), black anodised (matt) or natural tone anodised (matt).
End piece black grey RAL 7021.
End cap black grey RAL7021, pure orange RAL 2004, rape yellow RAL 1021, traffic red RAL 3020, signal green RAL 6032 or traffic blue RAL 5017.

Sample order:

nIm 06948-01-18084 (cap colour traffic red.)

Note for ordering:

Δ Enter the required colour code here.

Note:

Fastening materials are not provided.
Cap screws with LONG-LOK thread lock are recommended for a secure and permanent hold.

Temperature range:

Permanent temperature max. 100 °C.
Short time use up to 180 °C.

Assembly:

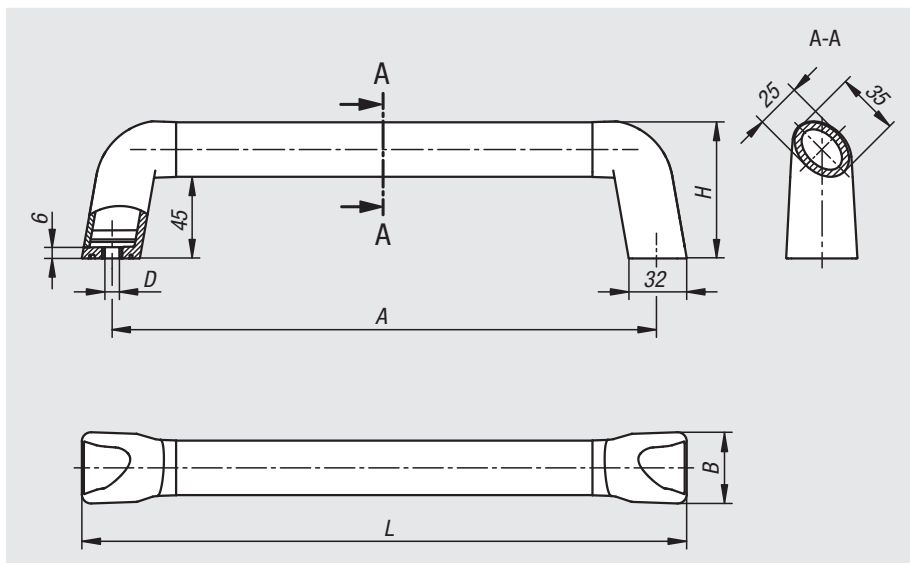
The end pieces are designed so that the tubular handle can be fastened either from the front or rear. DIN M8 cap screws or hex head screws are provided for this purpose. After mounting, the end caps can be pressed in by hand. Slots are provided on both sides of the end caps so that they can be removed with a screwdriver without damaging them.

On request:

Special lengths "A".

Accessories:

07160 DIN 912 / DIN EN ISO 4762 cap screws, LONG-LOK thread lock
07160 DIN 912 / DIN EN ISO 4762 cap screws
07171 DIN 933 / DIN-EN-ISO 4017 hex head screws
07210 DIN 934 / DIN EN ISO 4032 / DIN EN 24032 hex nuts
07300 DIN 125 / DIN EN ISO 7089 Form A washers



colour codes:



black grey
Δ = 1
RAL 7021



Pure orange
Δ = 2
RAL 2004



colza yellow
Δ = 16
RAL 1021



traffic red
Δ = 84
RAL 3020



signal green
Δ = 86
RAL 6032



traffic blue
Δ = 87
RAL 5017



Order No. black grey	Order No. black	Order No. natural	A	B	D	H	L	Load capacity N
06948-01-180Δ	06948-01-18001Δ	06948-01-18003Δ	180	39,2	8	75,5	213,4	1000
06948-01-200Δ	06948-01-20001Δ	06948-01-20003Δ	200	39,2	8	75,5	233,4	1000
06948-01-250Δ	06948-01-25001Δ	06948-01-25003Δ	250	39,2	8	75,5	283,4	1000
06948-01-300Δ	06948-01-30001Δ	06948-01-30003Δ	300	39,2	8	75,5	333,4	1000
06948-01-350Δ	06948-01-35001Δ	06948-01-35003Δ	350	39,2	8	75,5	383,4	1000
06948-01-400Δ	06948-01-40001Δ	06948-01-40003Δ	400	39,2	8	75,5	433,4	1000
06948-01-500Δ	06948-01-50001Δ	06948-01-50003Δ	500	39,2	8	75,5	533,4	1000
06948-01-600Δ	06948-01-60001Δ	06948-01-60003Δ	600	39,2	8	75,5	633,4	1000