

Pull handles tubular

adjustable



Material:

Grip tube EN AW-6060.
Mounting bracket EN AW-6063.
End caps thermoplastic.
Grub screw ISO 4766-14H.

Version:

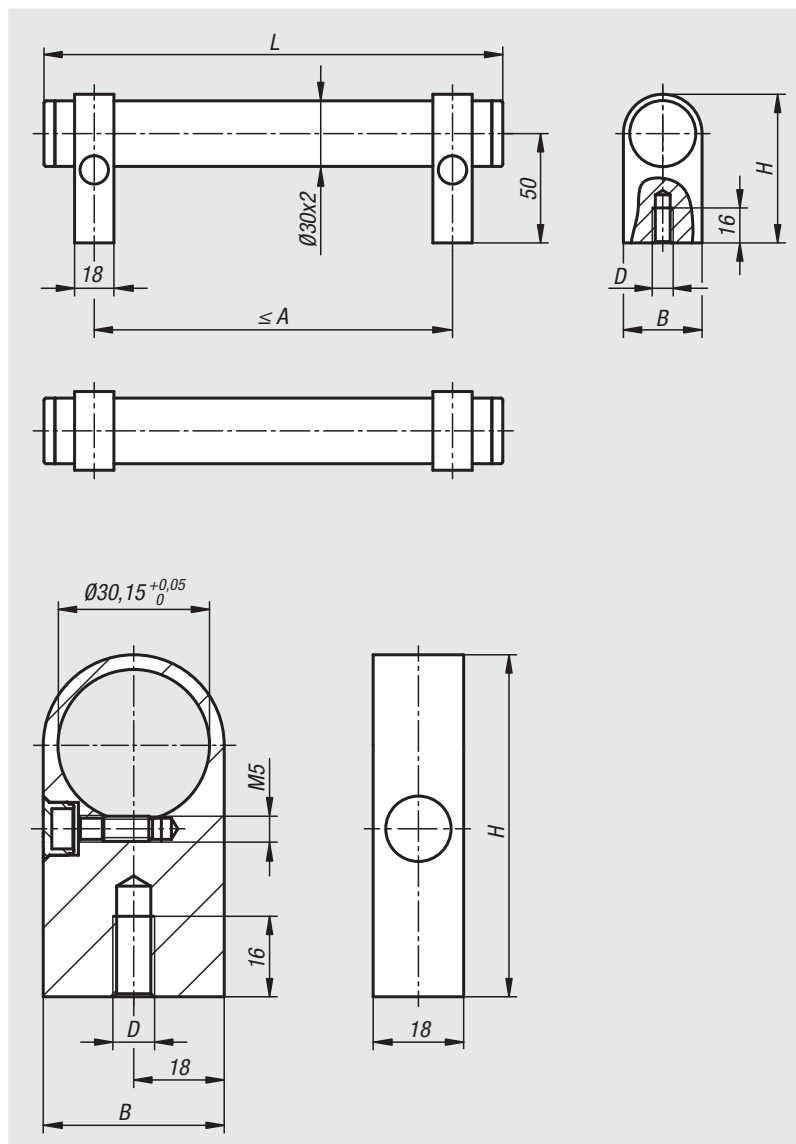
Grip tube anodised natural tone.
Mounting brackets anodised natural tone or black.
Grip end piece, black.
Bracket end cap light grey or black.

Sample order:

nIm 06947-2503011

Note:

The adjustable tubular handles are supplied unassembled.
The centre distance for the tubular handles can be freely determined.
The recommended maximum centre distance can be found in the table under A max.
Additional mounting brackets can be included for long handle lengths or high loads.
The mounting brackets are supplied unassembled.



Tubular handles adjustable

Order No.	Main colour	Component colour	A max.	B	D	H	L	Load capacity N
06947-2503011	natural anodised	natural anodised	220	36	M8	68	250	1000
06947-3003011	natural anodised	natural anodised	270	36	M8	68	300	1000
06947-4003011	natural anodised	natural anodised	370	36	M8	68	400	1000
06947-5003011	natural anodised	natural anodised	470	36	M8	68	500	1000
06947-6003011	natural anodised	natural anodised	570	36	M8	68	600	1000
06947-2503012	natural anodised	black anodised	220	36	M8	68	250	1000
06947-3003012	natural anodised	black anodised	270	36	M8	68	300	1000
06947-4003012	natural anodised	black anodised	370	36	M8	68	400	1000
06947-5003012	natural anodised	black anodised	470	36	M8	68	500	1000
06947-6003012	natural anodised	black anodised	570	36	M8	68	600	1000

Mounting brackets

Order No.	Main colour	B	D	H
06947-08301	natural anodised	36	M8	68
06947-08302	black anodised	36	M8	68