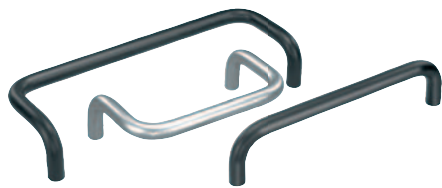


Pull handles



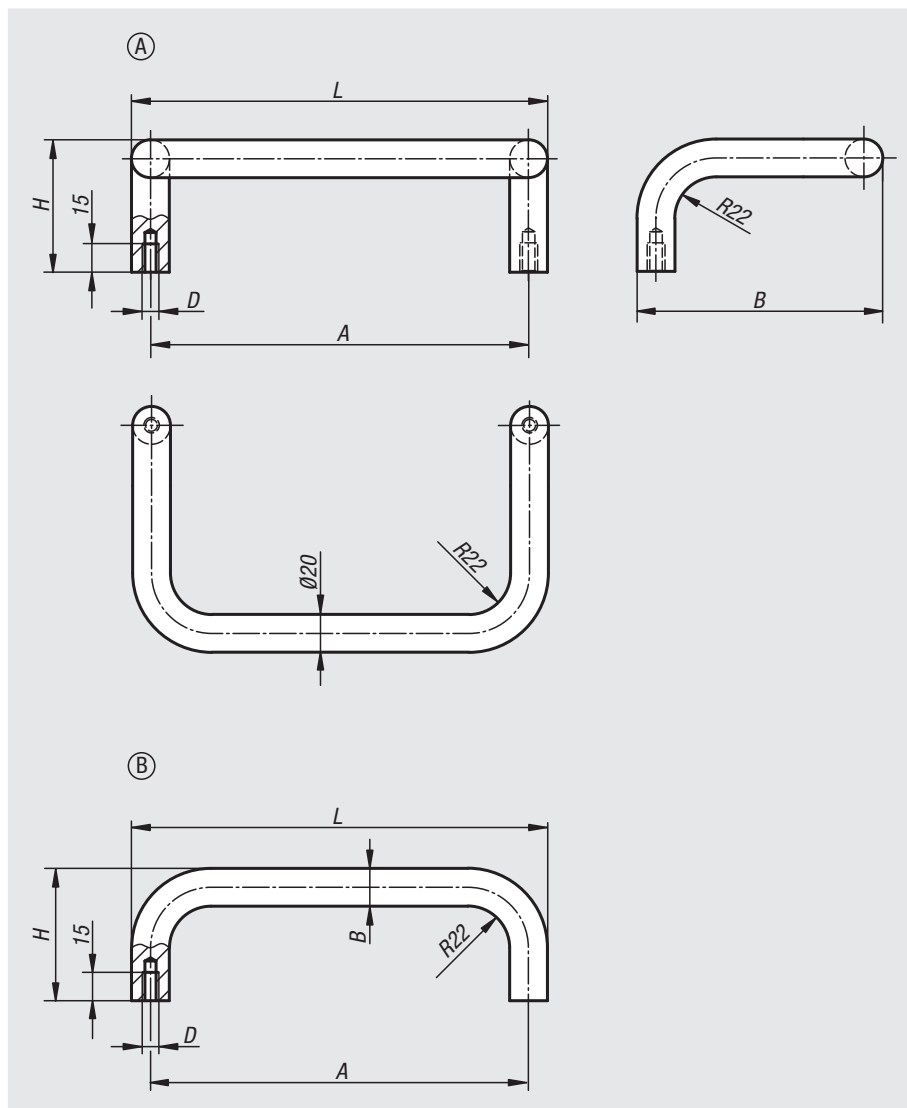
Material:
Round steel

Version:
Ground, brushed and matt-chromed or black powder-coated with fine texture

Sample order:
nlm 06946-200081

Note:
Available as straight or right-angled handle.

Assembly:
From the rear.



Order No.	Form	Main colour	A	B	D	H	L	Load capacity N
06946-200081	A	matt chromed	200	130	M8	70	220	1000
06946-350081	A	matt chromed	350	130	M8	70	370	1000
06946-200082	A	black powder-coated	200	130	M8	70	220	1000
06946-350082	A	black powder-coated	350	130	M8	70	370	1000
06946-200083	B	matt chromed	200	20	M8	70	220	1000
06946-250083	B	matt chromed	250	20	M8	70	270	1000
06946-300083	B	matt chromed	300	20	M8	70	320	1000
06946-350083	B	matt chromed	350	20	M8	70	370	1000
06946-200084	B	black powder-coated	200	20	M8	70	220	1000
06946-250084	B	black powder-coated	250	20	M8	70	270	1000
06946-300084	B	black powder-coated	300	20	M8	70	320	1000
06946-350084	B	black powder-coated	350	20	M8	70	370	1000