

Pull handles



Material:

Legs and grip aluminium EN AW-6060.
Connecting pins stainless steel.

Version:

Legs and grip finely ground, anodised black or natural tone.

Sample order:

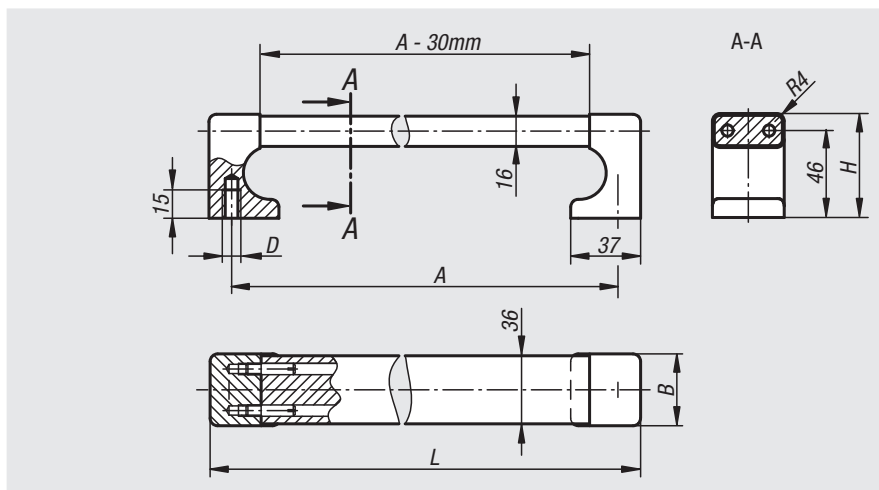
nIm 06944-250081

Note:

The solid construction permits this handle series to also be used as edge protectors.

Assembly:

From the rear.



Order No. black anodised	Order No. natural anodised	A	B	D	H	L	Load capacity N
06944-250081	06944-250083	250	38	M8	55	274	1000
06944-300081	06944-300083	300	38	M8	55	324	1000
06944-400081	06944-400083	400	38	M8	55	424	1000
06944-500081	06944-500083	500	38	M8	55	524	1000
06944-600081	06944-600083	600	38	M8	55	624	1000

Pull handles angled



Material:

Round aluminium EN AW-6060

Version:

Ground, glass blasted and matt-gloss black anodised.

Sample order:

nIm 06945-20016

Note:

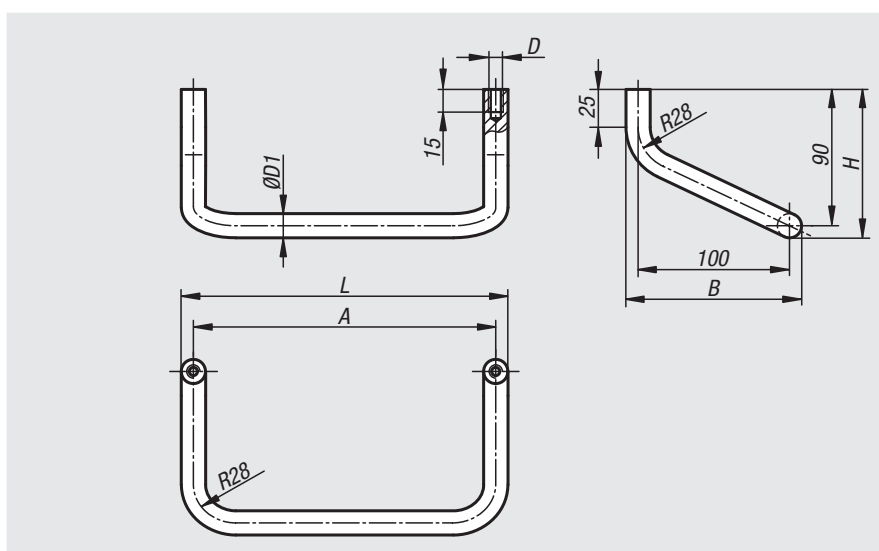
End washers not included.

Assembly:

From the rear.

On request:

Any handle length.



Order No.	A	B	D	D1	H	L	Load capacity N	Order No. end washer
06945-20016	200	116	M8	16	98	216	1000	06945-16
06945-25016	250	116	M8	16	98	266	1000	06945-16
06945-30016	300	116	M8	16	98	316	1000	06945-16
06945-40016	400	116	M8	16	98	416	1000	06945-16
06945-50018	500	118	M8	18	99	518	1000	06945-18