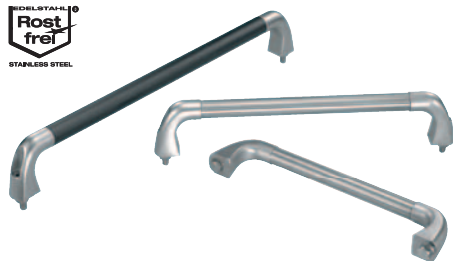


Pull handles tubular stainless steel



Material:

Grip and fasteners 1.4301 stainless steel.
Legs investment cast 1.4581 stainless steel.

Version:

Grip finely ground or with ribbed black plastic sleeve.

Legs abrasive cleaned and matt-gloss electropolished.

Sample order:

nlm 06943-200081

Note:

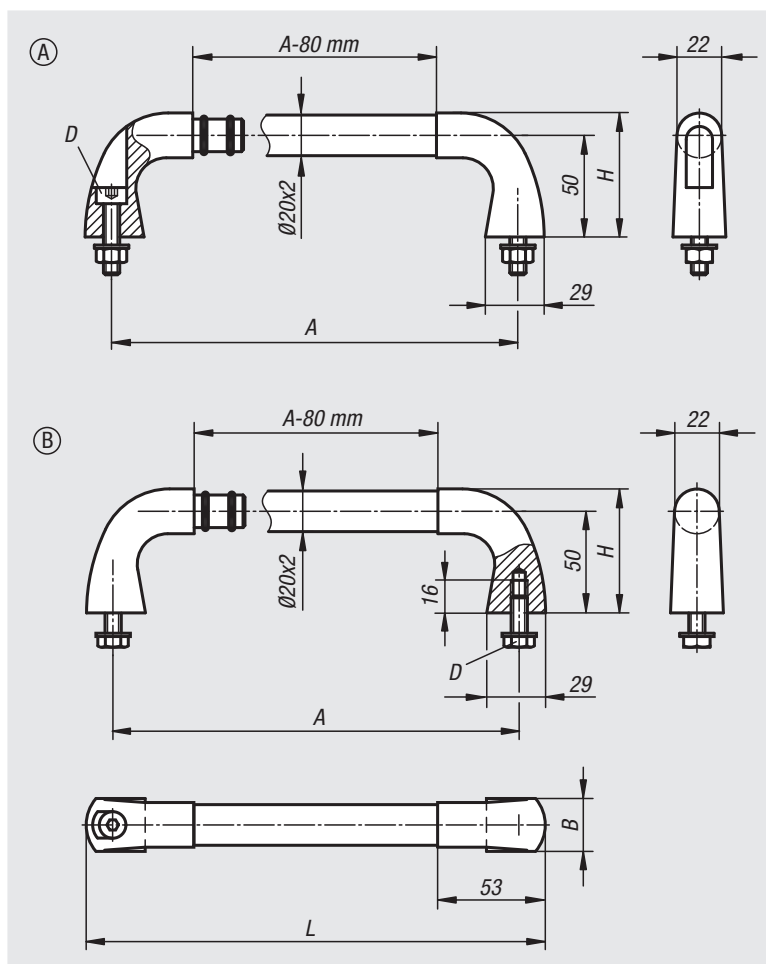
Cap screws with nuts and washers are supplied for Form A handles.

Hexagon head screws and washers are supplied for Form B handles.

Assembly:

Form A from the front.

Form B from the rear.



Order No.	Form	Main colour	A	B	D	H	L	Load capacity N
06943-200081	A	ground	200	26	M8x35	60	226	1000
06943-300081	A	ground	300	26	M8x35	60	326	1000
06943-400081	A	ground	400	26	M8x35	60	426	1000
06943-200082	A	black plastic ribbed	200	26	M8x35	60	226	1000
06943-300082	A	black plastic ribbed	300	26	M8x35	60	326	1000
06943-400082	A	black plastic ribbed	400	26	M8x35	60	426	1000
06943-200083	B	ground	200	26	M8x20	60	226	1000
06943-300083	B	ground	300	26	M8x20	60	326	1000
06943-400083	B	ground	400	26	M8x20	60	426	1000
06943-200084	B	black plastic ribbed	200	26	M8x20	60	226	1000
06943-300084	B	black plastic ribbed	300	26	M8x20	60	326	1000
06943-400084	B	black plastic ribbed	400	26	M8x20	60	426	1000