

Pull handles tubular


Material:

Legs glass-bead reinforced thermoplastic.
Grip stainless steel 1.4301.
Inserts stainless steel 1.4305.

Version:

Legs fine structured, black.
Grip fine ground.
Inserts fine turned.

Sample order:

nIm 06942-300101

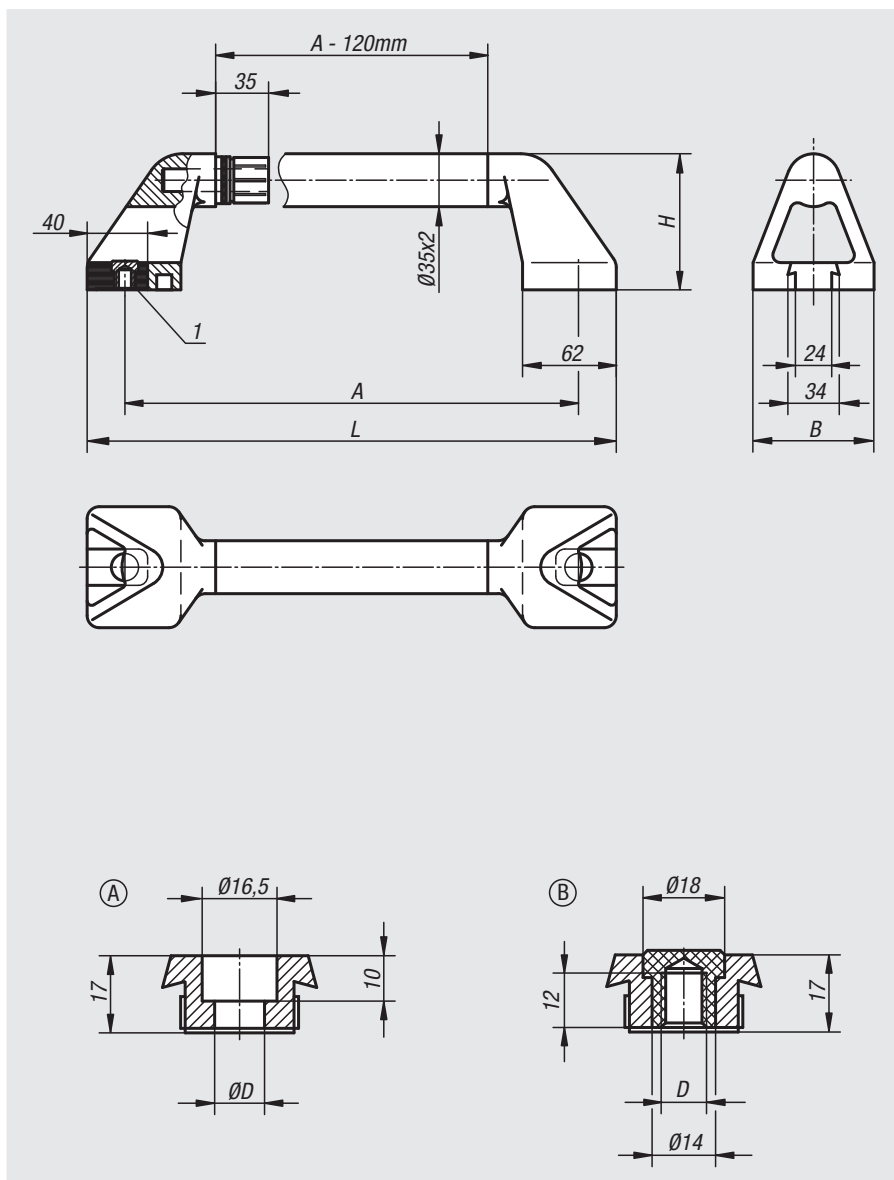
Note:

Locking webs allow a precision fit of the tube on the plastic leg boss.
Splash-proof with O-ring seals.
Different fastening inserts allow mounting from the front, rear or with each other.
Handles with through hole inserts (Form A) are supplied with stainless steel fasteners.
Handles with tapped inserts (Form B) are supplied without fasteners.

Drawing reference:

Form A: screw head insert
Form B: threaded insert

1) Screw head insert (A) or threaded insert (B).



Order No.	Form	A	B	D	H	L	Load capacity N
06942-300101	A	300	80	11	90	350	1000
06942-350101	A	350	80	11	90	400	1000
06942-400101	A	400	80	11	90	450	1000
06942-500101	A	500	80	11	90	550	1000
06942-600101	A	600	80	11	90	650	1000
06942-300102	B	300	80	M10	90	350	1000
06942-350102	B	350	80	M10	90	400	1000
06942-400102	B	400	80	M10	90	450	1000
06942-500102	B	500	80	M10	90	550	1000
06942-600102	B	600	80	M10	90	650	1000