

Pull handles tubular



Material:

Grip stainless steel 1.4301.
 Legs die-cast aluminium.
 End caps glass-bead reinforced plastic.
 Screws and locking pins steel.

Version:

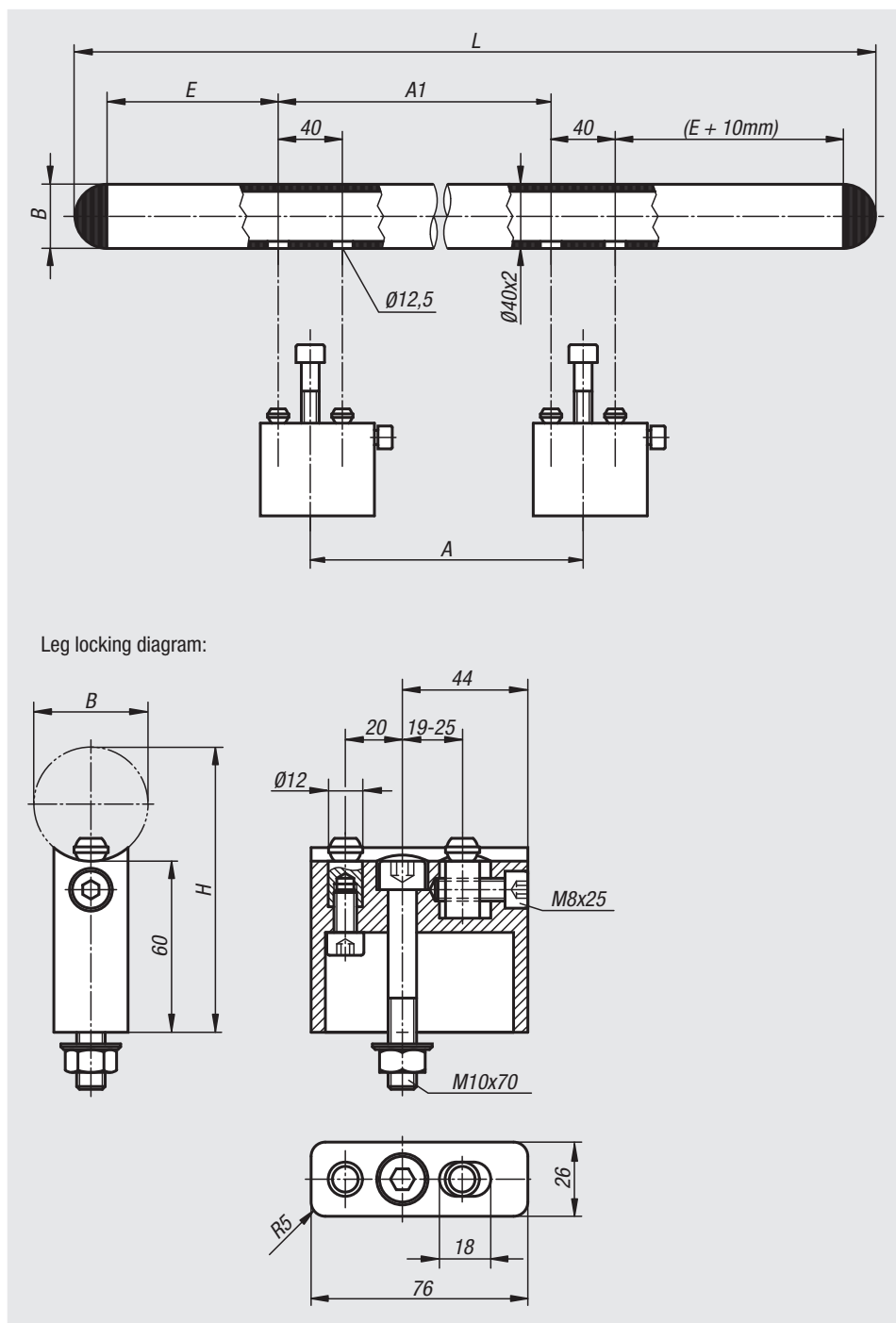
Grip finely ground.
 Legs black powder-coated.
 End cap black.
 Screws and pins trivalent passivated.

Sample order:

nlm 06941-0600101

Note:

Heavy duty tubular pull handles for machine and plant construction. Easy mounting from the front. Adjustable leg spacing by the same grip length.



| Order No. | A | A1 | B | E | H | L | Load capacity N |
|---------------|-----|-----|----|-----|-----|------|-----------------|
| 06941-0600101 | 380 | 380 | 40 | 85 | 100 | 640 | 1000 |
| 06941-0700101 | 480 | 480 | 40 | 85 | 100 | 740 | 1000 |
| 06941-0800101 | 500 | 500 | 40 | 125 | 100 | 840 | 1000 |
| 06941-0900101 | 600 | 600 | 40 | 125 | 100 | 940 | 1000 |
| 06941-1000101 | 700 | 700 | 40 | 125 | 100 | 1040 | 1000 |