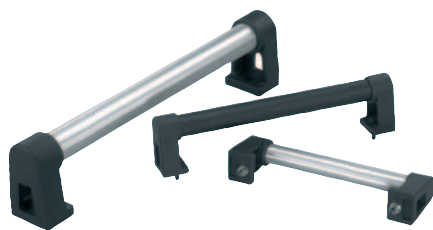


# Pull handles tubular


**Material:**

Grip aluminium EN AW-6060.  
Legs glass-bead reinforced polyamide.

**Version:**

Grip natural colour anodised or with black serrated plastic cover.

**Sample order:**

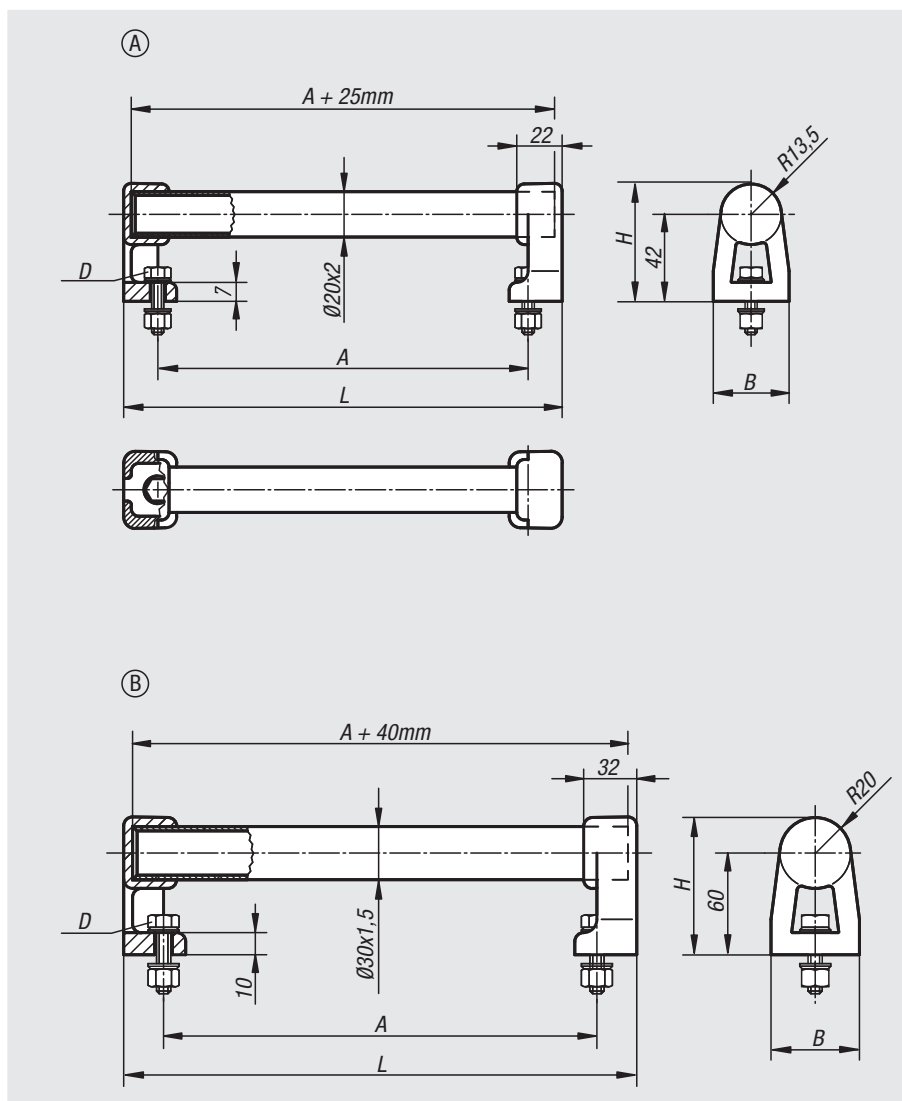
nlm 06939-150203

**Note:**

The legs have 2 or 4 PVC profile pins in the hole for the grip tube. When pushing the tube in these are trimmed off and produce a precise seating.  
Black electro zinc-plated fastening screws, suitable washers and nuts are supplied.

**Assembly:**

From the front.



Order No. natural	Order No. black	Form	A	B	D	H	L	Load capacity N
06939-150203	06939-150202	A	150	32	M5x20	55,5	184	1000
06939-200203	06939-200202	A	200	32	M5x20	55,5	234	1000
06939-300203	06939-300202	A	300	32	M5x20	55,5	334	1000
06939-400203	06939-400202	A	400	32	M5x20	55,5	434	1000
06939-500203	06939-500202	A	500	32	M5x20	55,5	534	1000
06939-150303	06939-150302	B	150	48	M8x25	80	200	1000
06939-300303	06939-300302	B	300	48	M8x25	80	350	1000
06939-400303	06939-400302	B	400	48	M8x25	80	450	1000
06939-200303	06939-200302	B	200	48	M8x25	80	250	1000
06939-500303	06939-500302	B	500	48	M8x25	80	550	1000