

Tubular handles oval,

aluminium



The machine grip impresses with a combination of solid appearance, high stability and extreme lightness. The patented fastening system enables the handles to be installed from the rear with no screws visible from the front. With its easy-to-clean and abrasion-resistant surface, the handle also blends in perfectly with its surroundings.

Material:

Oval tube aluminium EN AW-6060.
Tapped bushes steel.

Version:

Anodised natural tone or powder-coated black, ruby red RAL 3003 or traffic red RAL 3020.

Sample order:

nIm 06838-02-400083

Note:

Mounting materials are not included with delivery!! For secure and long-term stability, socket head screws with LONG-LOK thread lock are recommended.

Assembly:

The machine handle can be mounted from the rear. DIN socket head screws or hexagon head bolts with thread size M8 are provided for this purpose.

Advantages:

Solid appearance combined with low weight

Timeless elegant design.

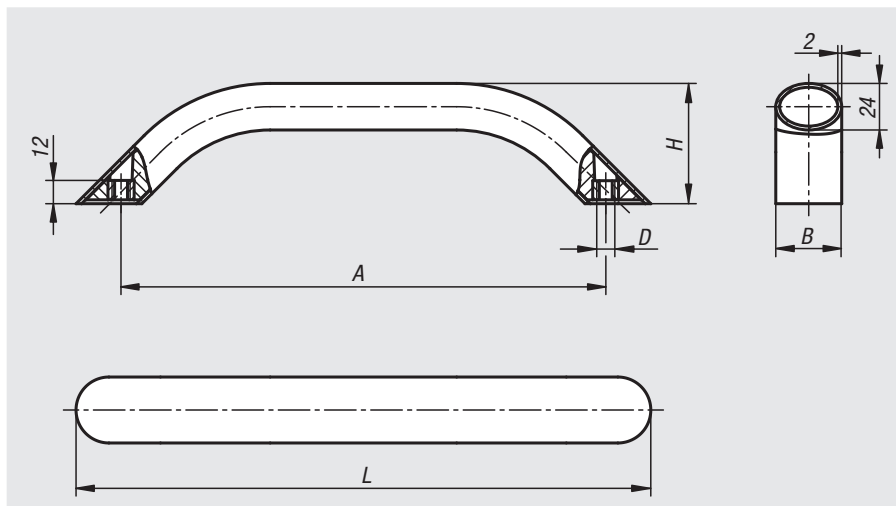
Ergonomic handle shape.

Patented fastening system for rear mounting.

Accessories:

07160 socket head screws, DIN 912 / DIN EN ISO 4762
LONG-LOK thread lock

07160 socket head screws, DIN 912 / DIN EN ISO 4762
07171 hexagon head bolts DIN 933 / DIN-EN-ISO 4017



Tubular handles oval, aluminium

Order No. natural anodised	Order No. black powder-coated	Order No. ruby red powder-coated	Order No. red RAL 3020 powder-coated	A	B	D	H	L	Load capacity N
06938-02-250083	06938-02-250081	06938-02-2500827	06938-02-2500884	250	34	M8	62	296,4	1000
06938-02-300083	06938-02-300081	06938-02-3000827	06938-02-3000884	300	34	M8	62	346,4	1000
06938-02-400083	06938-02-400081	06938-02-4000827	06938-02-4000884	400	34	M8	62	446,4	1000
06938-02-500083	06938-02-500081	06938-02-5000827	06938-02-5000884	500	34	M8	62	546,4	1000