

Pull handles tubular



Material:

Legs black glass-bead reinforced thermoplastic.
Grip aluminium EN AW-6060.

Version:

Grip, ground and natural colour anodised
Grip with serrated plastic sheath, black

Sample order:

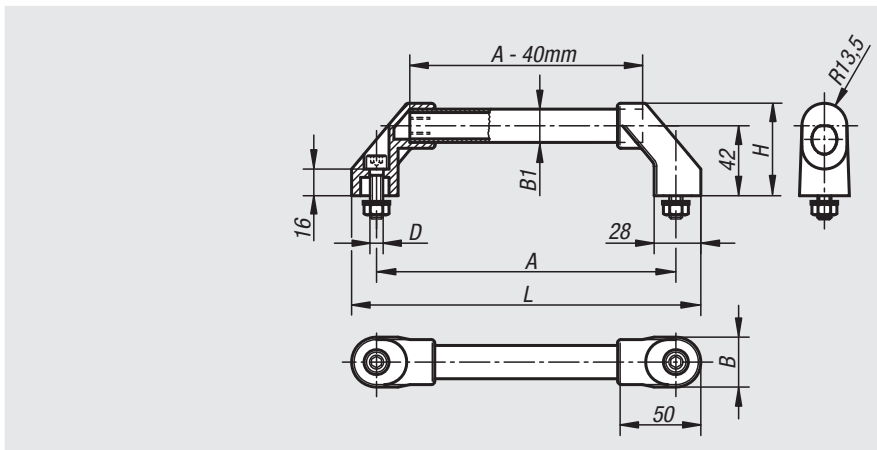
nIm 06937-3001

Note:

The legs have 4 webs in the hole for the grip tube. When pushing the tube in these are trimmed off and produce a precise seating. Black electro zinc-plated fastening screws, suitable washers and nuts are supplied.

Assembly:

From the front.



| Order No. ground and anodised | Order No. serrated plastic sleeve | A | B | B1 | D | H | L | Load capacity N |
|----------------------------------|--------------------------------------|-----|----|------|-------|------|-----|--------------------|
| 06937-1801 | 06937-1802 | 180 | 30 | 20X2 | M8X30 | 55,5 | 210 | 1000 |
| 06937-2001 | 06937-2002 | 200 | 30 | 20X2 | M8X30 | 55,5 | 230 | 1000 |
| 06937-2501 | 06937-2502 | 250 | 30 | 20X2 | M8X30 | 55,5 | 280 | 1000 |
| 06937-3001 | 06937-3002 | 300 | 30 | 20X2 | M8X30 | 55,5 | 330 | 1000 |
| 06937-3501 | 06937-3502 | 350 | 30 | 20X2 | M8X30 | 55,5 | 380 | 1000 |
| 06937-4001 | 06937-4002 | 400 | 30 | 20X2 | M8X30 | 55,5 | 430 | 1000 |
| 06937-5001 | 06937-5002 | 500 | 30 | 20X2 | M8X30 | 55,5 | 530 | 1000 |
| 06937-6001 | 06937-6002 | 600 | 30 | 20X2 | M8X30 | 55,5 | 630 | 1000 |

Pull handles tubular



Material:

Legs black glass-bead reinforced thermoplastic.
Grip aluminium EN AW-6060 or stainless steel 1.4301.

Version:

Connecting tube aluminium, ground and natural tone anodised or with serrated plastic cover.
Connecting tube stainless steel, fine ground.

Sample order:

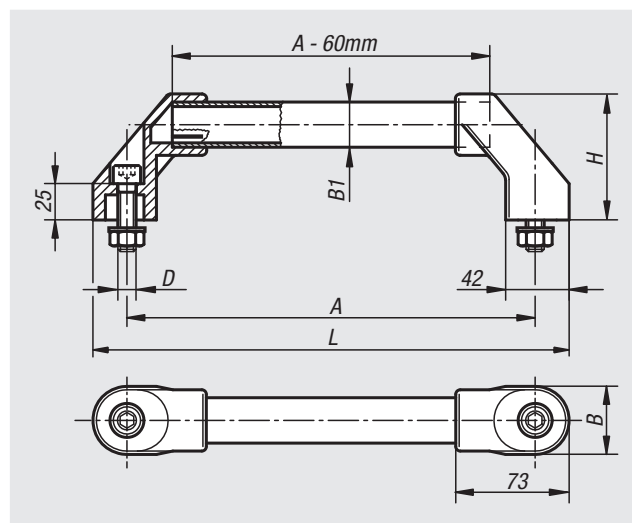
nIm 06938-3501

Note:

The legs have 4 webs in the hole for the grip tube. When pushing the tube in these are trimmed off and produce a precise seating.
Black electro zinc-plated fastening screws together with washers and nuts are supplied.

Assembly:

From the front.



| Order No. aluminium ground and anodised | Order No. aluminium serrated plastic sleeve | Order No. stainless steel | A | B | B1 | D | H | L | Load capacity N |
|-----------------------------------------------|---------------------------------------------------|------------------------------|-----|----|--------|--------|----|-----|--------------------|
| 06938-2501 | 06938-2502 | 06938-2503 | 250 | 44 | 30X1,5 | M10x45 | 80 | 294 | 1000 |
| 06938-3001 | 06938-3002 | 06938-3003 | 300 | 44 | 30X1,5 | M10x45 | 80 | 344 | 1000 |
| 06938-3501 | 06938-3502 | 06938-3503 | 350 | 44 | 30X1,5 | M10x45 | 80 | 394 | 1000 |
| 06938-4001 | 06938-4002 | 06938-4003 | 400 | 44 | 30X1,5 | M10x45 | 80 | 444 | 1000 |
| 06938-5001 | 06938-5002 | 06938-5003 | 500 | 44 | 30X1,5 | M10x45 | 80 | 544 | 1000 |
| 06938-6001 | 06938-6002 | 06938-6003 | 600 | 44 | 30X1,5 | M10x45 | 80 | 644 | 1000 |