

Item description/product images



Description

Material:

Leg glass-bead reinforced thermoplastic.
Grip aluminium tube.

Version:

Black thermoplastic.
Anodised aluminium.

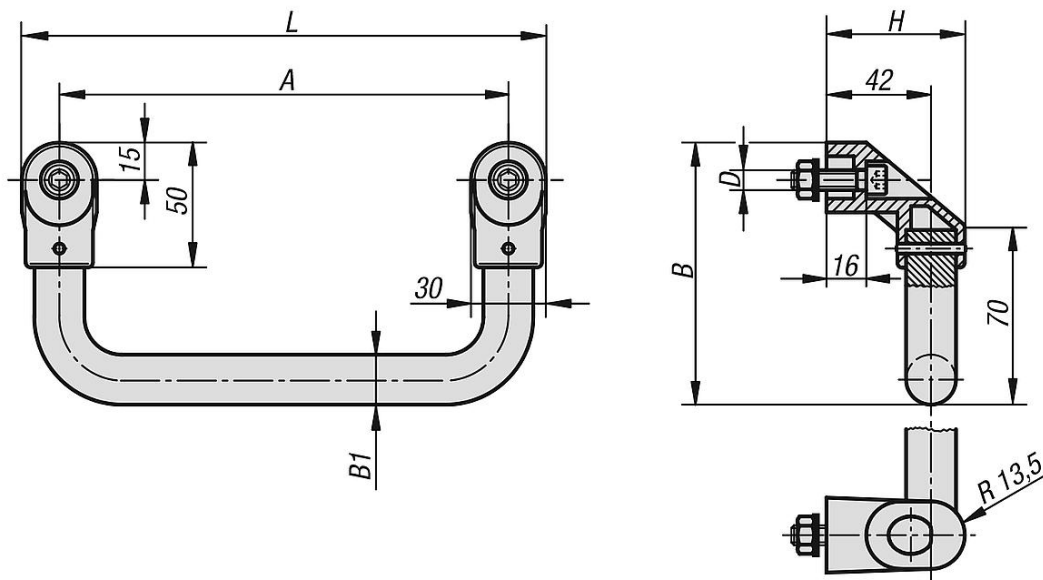
Note:

The legs are pinned to the aluminium tube. Black electro zinc-plated cap screws, nuts and washers are supplied.

Assembly:

From the front.

Drawings



Overview of items

Order No.	Main colour	A	B	B1	D	H	L	Load capacity N
06936-2001	natural	200	115	20	M8x30	55,5	230	800
06936-2501	natural	250	115	20	M8x30	55,5	280	800
06936-3001	natural	300	115	20	M8x30	55,5	330	800
06936-3501	natural	350	115	20	M8x30	55,5	380	800
06936-4001	natural	400	115	20	M8x30	55,5	430	800
06936-2002	black	200	115	20	M8x30	55,5	230	800
06936-2502	black	250	115	20	M8x30	55,5	280	800
06936-3002	black	300	115	20	M8x30	55,5	330	800
06936-3502	black	350	115	20	M8x30	55,5	380	800
06936-4002	black	400	115	20	M8x30	55,5	430	800

