

Pull handles angled

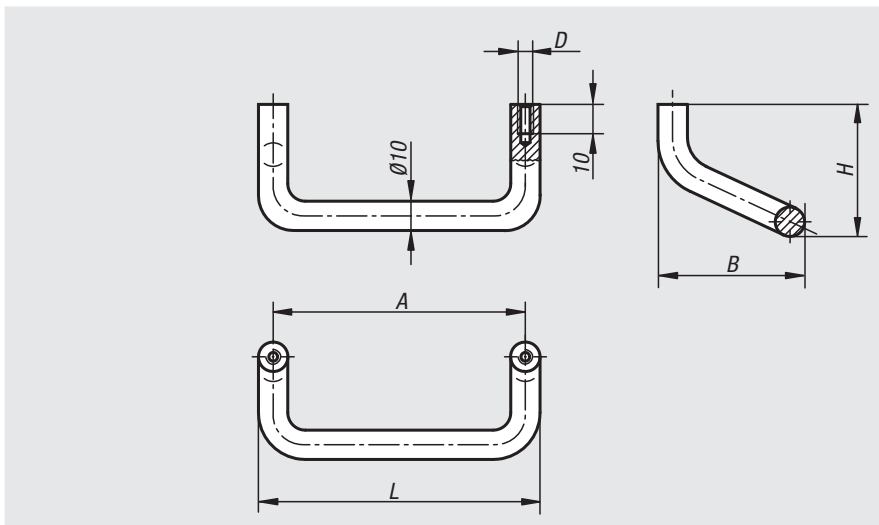


Material:
Aluminium.

Version:
Matt-finished, anodised black or natural tone.

Sample order:
nlm 06935-12001

Assembly:
From the rear.



Order No. black	Order No. natural	A	B	D	H	L	Load capacity N
06935-08601	06935-08603	86	40	M5	45	96	500
06935-12001	06935-12003	120	40	M5	45	130	500
06935-18001	06935-18003	180	40	M5	45	190	500

Pull handles tubular angled



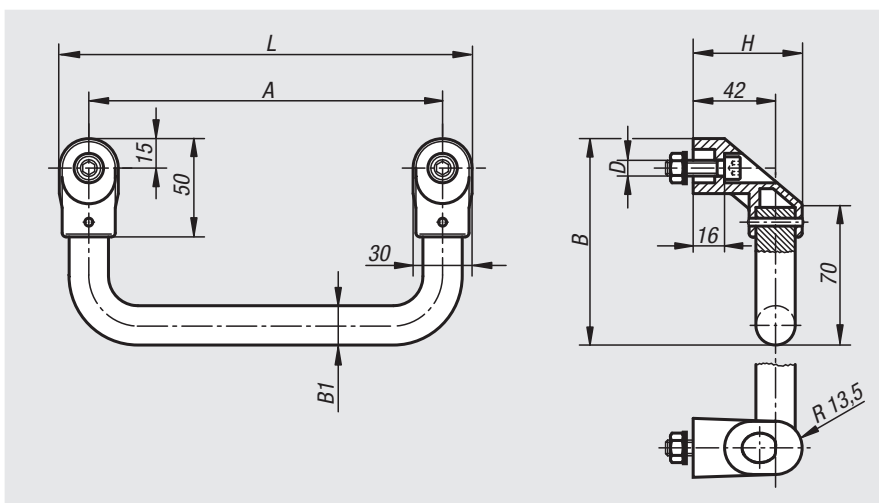
Material:
Leg glass-bead reinforced thermoplastic.
Grip aluminium tube.

Version:
Black thermoplastic.
Anodised aluminium.

Sample order:
nlm 06936-3002

Note:
The legs are pinned to the aluminium tube. Black electro zinc-plated cap screws, nuts and washers are supplied.

Assembly:
From the front.



Order No. natural	Order No. black	A	B	B1	D	H	L	Load capacity N
06936-2001	06936-2002	200	115	20	M8X30	55,5	230	800
06936-2501	06936-2502	250	115	20	M8X30	55,5	280	800
06936-3001	06936-3002	300	115	20	M8X30	55,5	330	800
06936-3501	06936-3502	350	115	20	M8X30	55,5	380	800
06936-4001	06936-4002	400	115	20	M8X30	55,5	430	800