

Pull handles fold-down


Material:

Steel or 1.4305 stainless steel

Version:

Steel version:

Surface finely ground and high-gloss chromed or with a smooth plastic cover on the grip.

Stainless steel version:

Surface semi-gloss score-free vibratory ground.

Sample order:

nIm 06934-1201

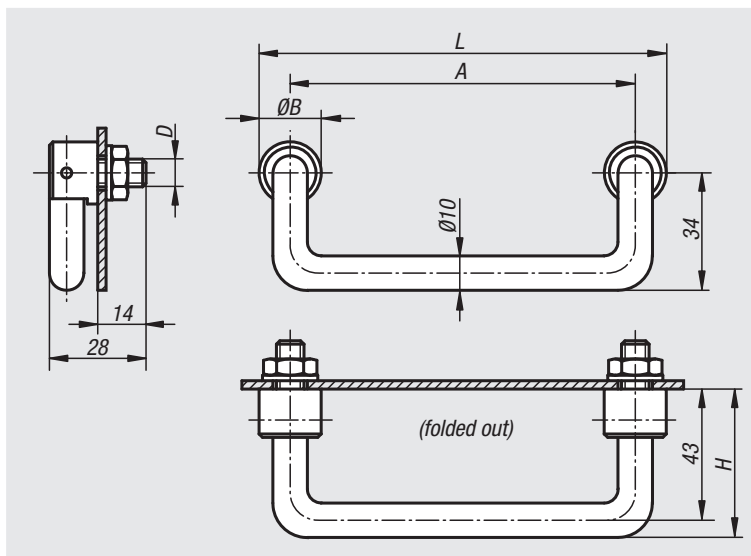
Note:

Steel or stainless steel fastening material is provided.

Spring lock in both end positions.

Assembly:

From the rear.



Order No. steel	Order No. steel with plastic cover	Order No. stainless steel	A	B	D	H	L	Load capacity N
06934-1001	06934-1002	06934-1003	100	18	M10x1	48	118	500
06934-1201	06934-1202	06934-1203	120	18	M10x1	48	138	500
06934-1801	06934-1802	06934-1803	180	18	M10x1	48	198	500