

Pull handles

19"



Material:

Grip aluminium.
Legs and cap PA 6.
Tapped bush steel.

Version:

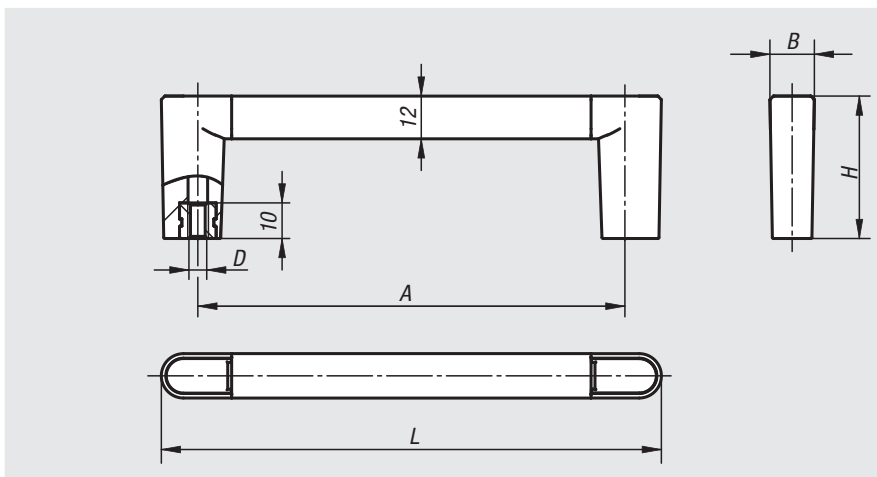
Grip natural colour or black anodised.
Tapped bush electro zinc-plated.

Sample order:

nIm 06933-120101

Note:

- 19"
- Closed design
- Simple assembly
- The cap is tapped on using a plastic hammer



Order No. black	Order No. natural	A	B	D	H	L	Load capacity N
06933-055101	06933-055103	55	12,5	M5	40	75,5	1000
06933-088101	06933-088103	88	12,5	M5	40	108,5	1000
06933-100101	06933-100103	100	12,5	M5	40	120,5	1000
06933-120101	06933-120103	120	12,5	M5	40	140,5	1000
06933-180101	06933-180103	180	12,5	M5	40	200,5	1000
06933-235101	06933-235103	235	12,5	M5	40	255,5	1000

Pull handles

19"



Material:

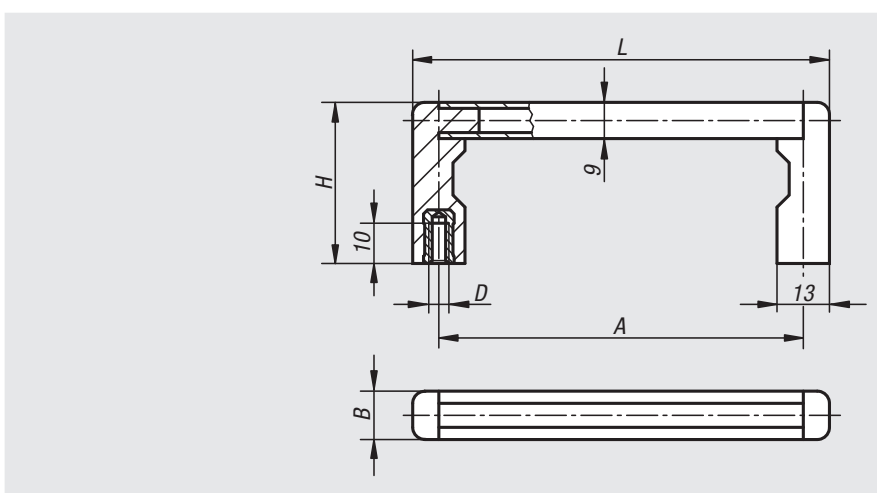
Grip aluminium.
Legs high-strength plastic

Sample order:

nIm 06933-05501

Assembly:

From the rear.



Order No. black	Order No. natural	A	B	D	H	L	Load capacity N
06933-05501	06933-05503	55	12	M5	40	69	1000
06933-08801	06933-08803	88	12	M5	40	102	1000
06933-10001	06933-10003	100	12	M5	40	114	1000
06933-12001	06933-12003	120	12	M5	40	134	1000
06933-18001	06933-18003	180	12	M5	40	194	1000
06933-23501	06933-23503	235	12	M5	40	249	1000