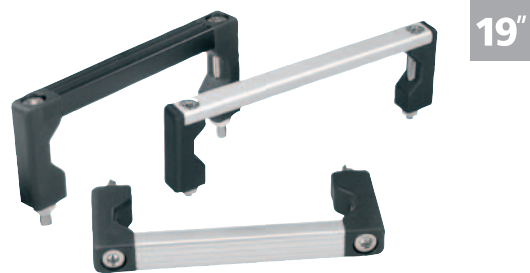


Pull handles



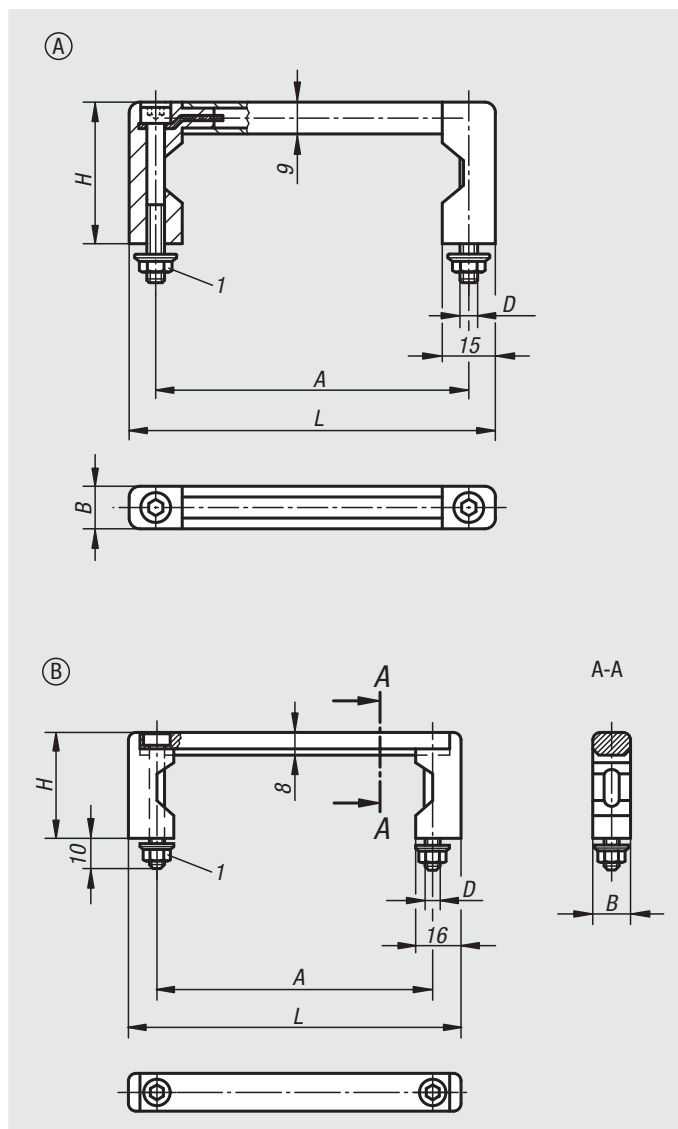
Material:
 Grip aluminium.
 Legs glass-bead reinforced polyamide.

Version:
 Grip matt-finished and natural tone or black anodised.
 Legs fine structure semi-matt, black.

Sample order:
 nlm 06932-10001

Assembly:
 From the front.

Drawing reference:
 1) Toothed locknut



Order No. black	Order No. natural	Form	A	B	D	H	L	Load capacity N
06932-05501	06932-05503	A	55	12	M5	40	70	1000
06932-08801	06932-08803	A	88	12	M5	40	103	1000
06932-10001	06932-10003	A	100	12	M5	40	115	1000
06932-12001	06932-12003	A	120	12	M5	40	135	1000
06932-18001	06932-18003	A	180	12	M5	40	195	1000
06932-23501	06932-23503	A	235	12	M5	40	250	1000
06932-055101	06932-055103	B	55	12	M5	40	75	1000
06932-088101	06932-088103	B	88	12	M5	40	108	1000
06932-100101	06932-100103	B	100	12	M5	40	120	1000
06932-120101	06932-120103	B	120	12	M5	40	140	1000
06932-180101	06932-180103	B	180	12	M5	40	200	1000
06932-235101	06932-235103	B	235	12	M5	40	255	1000

Pull handles



Material:

Grip aluminium.
Legs and cap PA 6.
Screw and flange nut steel.

Version:

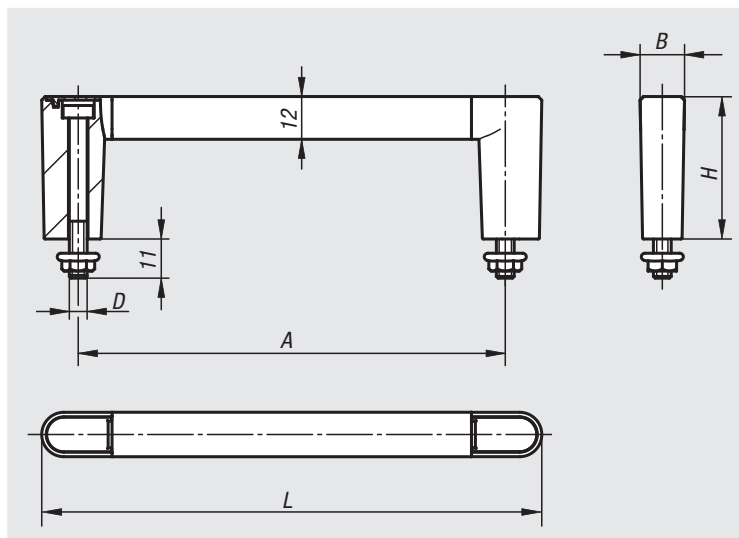
Grip natural colour or black anodised.
Screw and flange nut electro zinc-plated.

Sample order:

nIm 06932-120203

Note:

- 19"
- Closed design
- Simple assembly
- The cap is tapped on using a plastic hammer



Order No. black	Order No. natural	A	B	D	H	L	Load capacity N
06932-055201	06932-055203	55	12,5	M5	40	75,5	1000
06932-088201	06932-088203	88	12,5	M5	40	108,5	1000
06932-100201	06932-100203	100	12,5	M5	40	120,5	1000
06932-120201	06932-120203	120	12,5	M5	40	140,5	1000
06932-180201	06932-180203	180	12,5	M5	40	200,5	1000
06932-235201	06932-235203	235	12,5	M5	40	255,5	1000