

# Pull handles

stainless steel



**Material:**

Pull Handle and fasteners 1.4404 stainless steel.

**Version:**

Ground and satin brushed finish.

**Sample order:**

nIm 06931-2001

**Note:**

These stainless steel pull handles are ideal for all technical applications where highest load and high chemical or corrosive resistance is required.

**Assembly:**

From the rear.

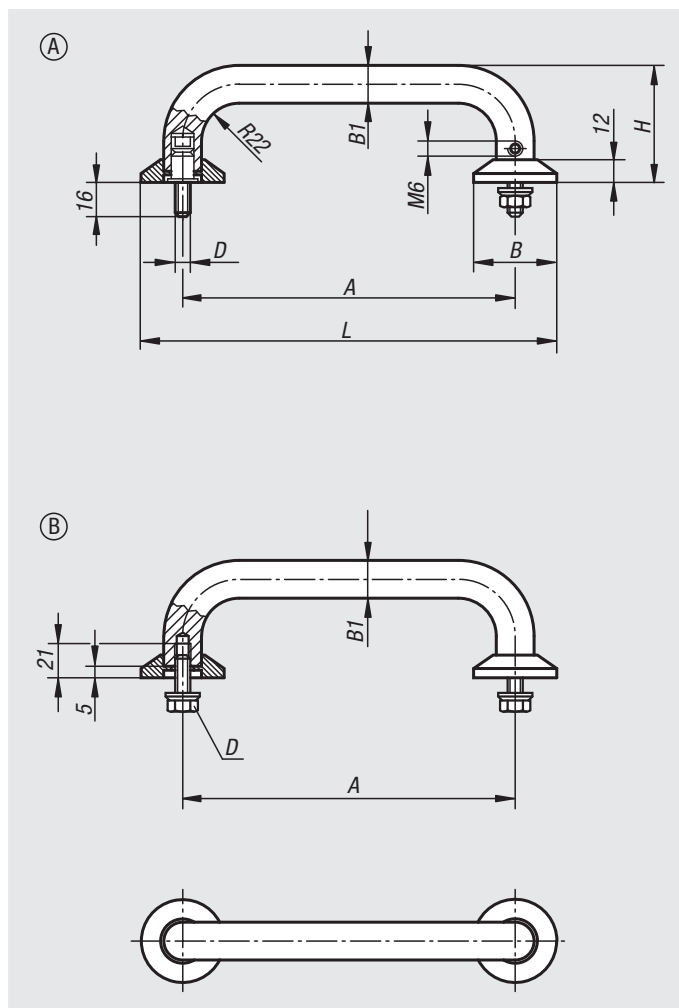
**Drawing reference:**

Form A

fastening from the front.

Form B

fastening from the rear.



| Order No.  | Form | A   | B  | B1 | D  | H  | L   | Load capacity N |
|------------|------|-----|----|----|----|----|-----|-----------------|
| 06931-2001 | A    | 200 | 50 | 20 | M8 | 75 | 250 | 1000            |
| 06931-2501 | A    | 250 | 50 | 20 | M8 | 75 | 300 | 1000            |
| 06931-2002 | B    | 200 | 50 | 20 | M8 | 75 | 250 | 1000            |
| 06931-2502 | B    | 250 | 50 | 20 | M8 | 75 | 300 | 1000            |