

# Pull handles

high-gloss chromed



**Material:**  
Steel.

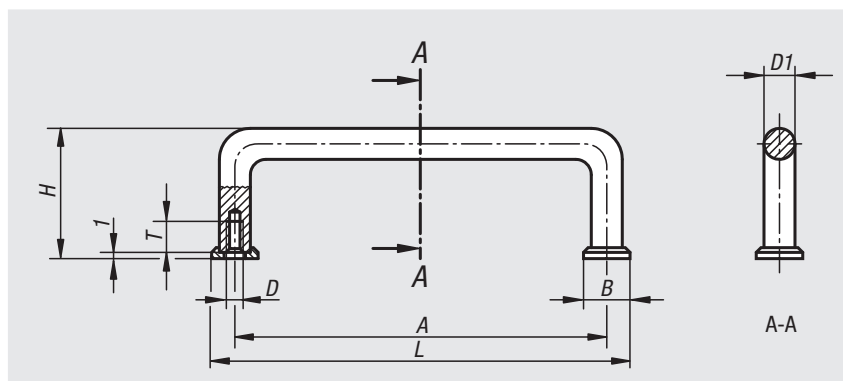
**Version:**  
Disc very finely ground.  
Pull handle high-gloss chromed.

**Sample order:**  
nlm 06930-10204

**Note:**  
These pull handles are used primarily on optical devices, laboratory installations, audio, video and hi-fi equipment, etc. The end washers are supplied loose.

**Assembly:**  
From the rear.

**On request:**  
Other surface finishes.



Order No.	A	B	D	D1	H	L	T	Load capacity N
06930-03203	32	8	M3	5	21	40	6	1000
06930-04203	42	8	M3	5	25	50	6	1000
06930-05503	55	8	M3	5	25	63	6	1000
06930-07603	76	8	M3	5	25	84	6	1000
06930-08803	88	8	M3	5	25	96	6	1000
06930-03204	32	12,5	M4	8	33	44,5	8	1000
06930-05504	55	12,5	M4	8	33	67,5	8	1000
06930-06404	64	12,5	M4	8	33	76,5	8	1000
06930-08804	88	12,5	M4	8	33	100,5	8	1000
06930-09604	96	12,5	M4	8	33	108,5	8	1000
06930-09804	98	12,5	M4	8	33	110,5	8	1000
06930-10204	102	12,5	M4	8	33	114,5	8	1000
06930-12004	120	12,5	M4	8	33	132,5	8	1000
06930-12804	128	12,5	M4	8	33	140,5	8	1000
06930-13604	136	12,5	M4	8	33	148,5	8	1000
06930-05505	55	15	M5	10	41	70	10	1000
06930-08805	88	15	M5	10	41	103	10	1000
06930-10005	100	15	M5	10	41	115	10	1000
06930-10205	102	15	M5	10	41	117	10	1000
06930-11505	115	15	M5	10	41	130	10	1000
06930-12005	120	15	M5	10	41	135	10	1000
06930-13605	136	15	M5	10	41	151	10	1000
06930-18005	180	15	M5	10	41	195	10	1000
06930-20005	200	15	M5	10	41	215	10	1000
06930-23505	235	15	M5	10	41	250	10	1000
06930-25005	250	15	M5	10	41	265	10	1000