

Pull handles


Material:

Profile aluminium EN AW-6060

Version:

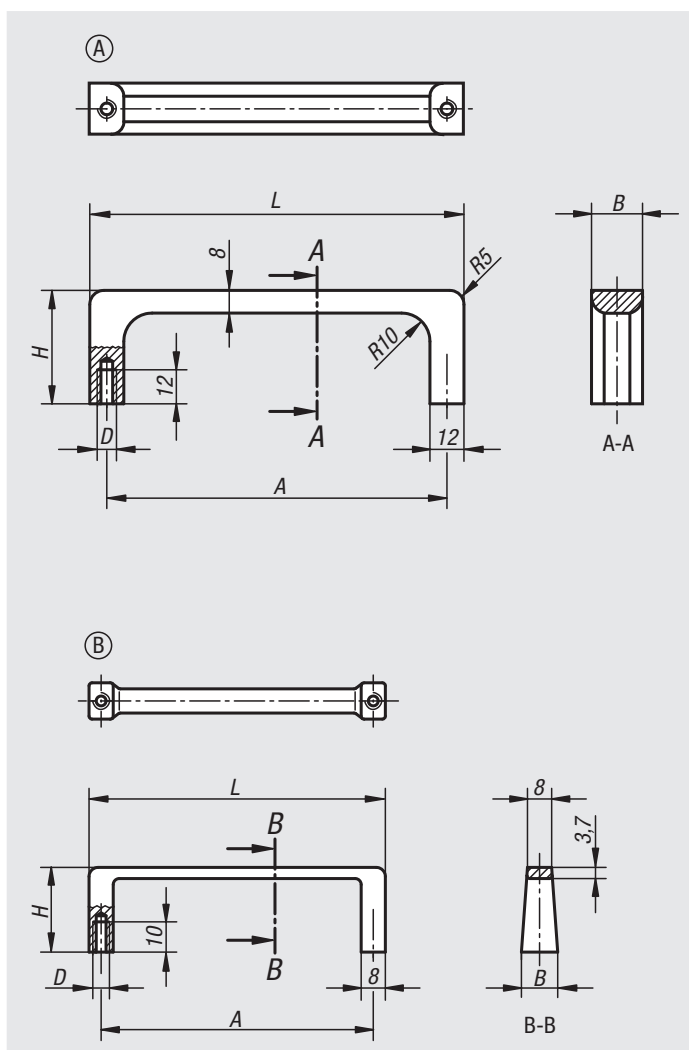
Matt-finished, anodised black or natural tone.

Sample order:

nlm 06929-12001

Assembly:

From the rear.



Order No.	Form	Main colour	A	B	D	H	L	Load capacity N
06929-12001	A	black	120	18	M6	40	132	500
06929-09001	B	black	90	12	M5	28	98	300
06929-12003	A	natural	120	18	M6	40	132	500
06929-09003	B	natural	90	12	M5	28	98	300