

# Pull handles tubular

oblique



### Material:

Grip tube aluminium EN AW-6060;  
Legs polyamide, glass-bead reinforced;  
Bushing brass

### Version:

Tube matt-polished anodised.  
Legs black

### Sample order:

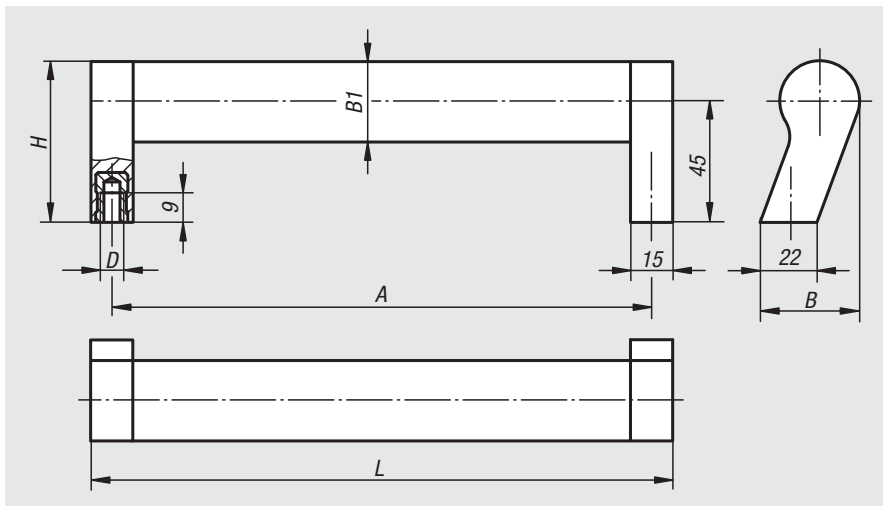
nIm 06928-2150061

### Note:

Oblique tubular pull handles in modern industrial design. Webs on the leg spigot provide a precision fit for the tube.

### Assembly:

From the rear.



Order No.	A	B	B1	D	H	L	Load capacity N
06928-2150061	150	37	30X1,5	M6	60	165	800
06928-2200061	200	37	30X1,5	M6	60	215	800
06928-2250061	250	37	30X1,5	M6	60	265	800
06928-2300061	300	37	30X1,5	M6	60	315	800
06928-2350061	350	37	30X1,5	M6	60	365	800
06928-2400061	400	37	30X1,5	M6	60	415	800