

Pull handles tubular



Material:

Grip aluminium EN AW-6060.
Legs polyamide glass-bead reinforced.
Bushing brass.
Clamping sleeves stainless steel.

Version:

Grip natural colour or black anodised.
Legs aluminium colour or black.

Sample order:

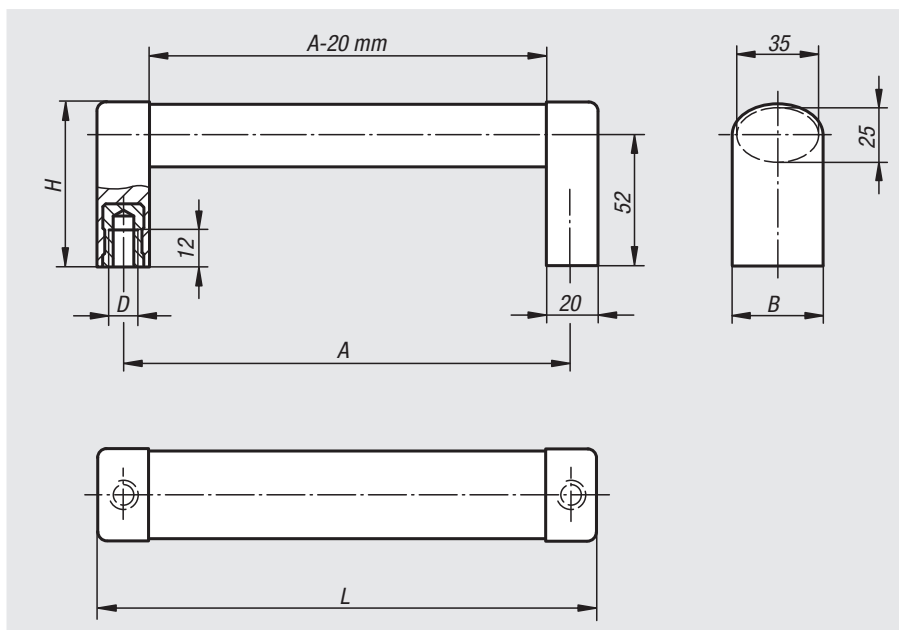
nIm 06927-1200081

Note:

Oval-profile handles for joining together. Version with plastic legs and aluminium oval grip.

Assembly:

From the rear.



Order No.	Main colour	Component colour	A	B	D	H	L	Load capacity N
06927-1200081	natural	aluminium tone	200	36	M8	65	220	1000
06927-1250081	natural	aluminium tone	250	36	M8	65	270	1000
06927-1300081	natural	aluminium tone	300	36	M8	65	320	1000
06927-1400081	natural	aluminium tone	400	36	M8	65	420	1000
06927-1500081	natural	aluminium tone	500	36	M8	65	520	1000
06927-1200082	natural	black	200	36	M8	65	220	1000
06927-1250082	natural	black	250	36	M8	65	270	1000
06927-1300082	natural	black	300	36	M8	65	320	1000
06927-1400082	natural	black	400	36	M8	65	420	1000
06927-1500082	natural	black	500	36	M8	65	520	1000
06927-1200083	black	black	200	36	M8	65	220	1000
06927-1250083	black	black	250	36	M8	65	270	1000
06927-1300083	black	black	300	36	M8	65	320	1000
06927-1400083	black	black	400	36	M8	65	420	1000
06927-1500083	black	black	500	36	M8	65	520	1000