

## Pull handles tubular



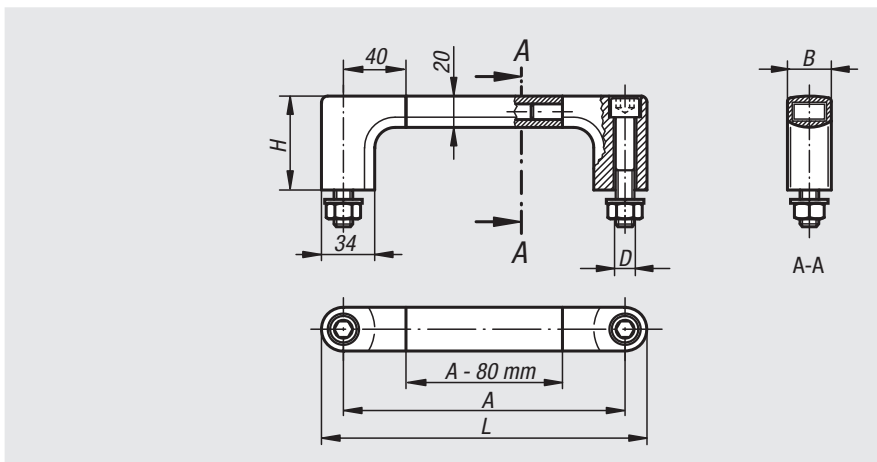
**Material:**  
Aluminium.

**Version:**  
Leg black powder-coated.  
Grip natural colour anodised.

**Sample order:**  
nlm 06925-300

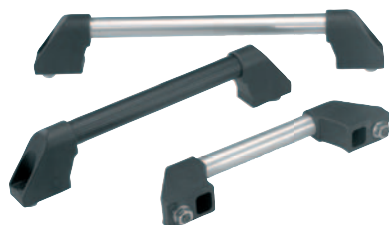
**Note:**  
Black electro zinc-plated M12x70 cap screws, suitable washers and nuts for fastening are supplied.

**Assembly:**  
From the front.



Order No.	A	B	D	H	L	Load capacity N
06925-180	180	28	M12	60	208	1000
06925-200	200	28	M12	60	228	1000
06925-250	250	28	M12	60	278	1000
06925-300	300	28	M12	60	328	1000
06925-350	350	28	M12	60	378	1000
06925-400	400	28	M12	60	428	1000
06925-500	500	28	M12	60	528	1000
06925-600	600	28	M12	60	628	1000

## Pull handles tubular



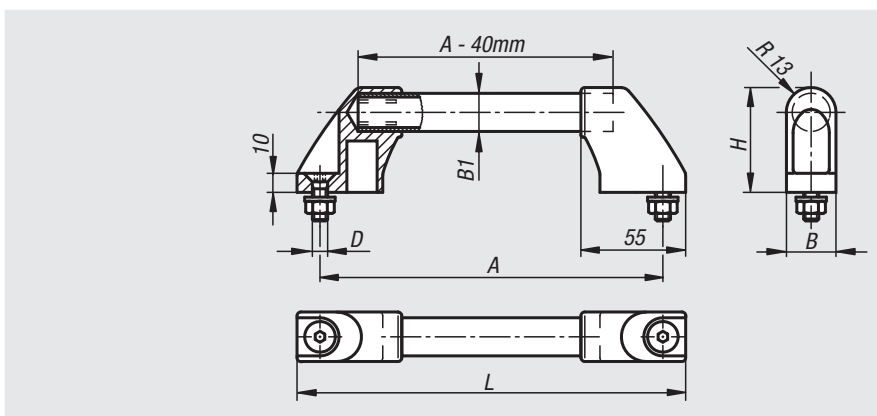
**Material:**  
Legs black glass-bead reinforced thermoplastic.  
Grip tube aluminium.

**Version:**  
Grip, ground and natural colour anodised  
Grip with serrated plastic sheath, black

**Sample order:**  
nlm 06926-200

**Note:**  
The legs have 4 webs in the hole for the grip tube. When pushing the tube in, these are trimmed off and produce a precise seating.  
Black electro zinc-plated fastening screws, suitable washers and nuts are supplied.

**Assembly:**  
From the front.



Order No. ground and anodised	Order No. serrated plastic sleeve	A	B	B1	D	H	L	Load capacity N
06926-180	06926-1803	180	26	20X2	M8x20	55	204	500
06926-200	06926-2003	200	26	20X2	M8x20	55	224	500
06926-250	06926-2503	250	26	20X2	M8x20	55	274	500
06926-300	06926-3003	300	26	20X2	M8x20	55	324	500
06926-350	06926-3503	350	26	20X2	M8x20	55	374	500
06926-400	06926-4003	400	26	20X2	M8x20	55	424	500
06926-500	06926-5003	500	26	20X2	M8x20	55	524	500
06926-600	06926-6003	600	26	20X2	M8x20	55	624	500