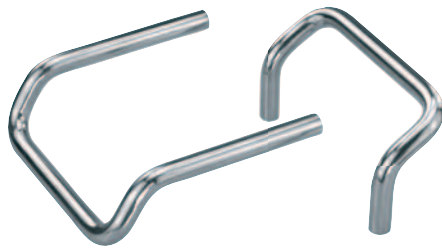


Pull handles angled

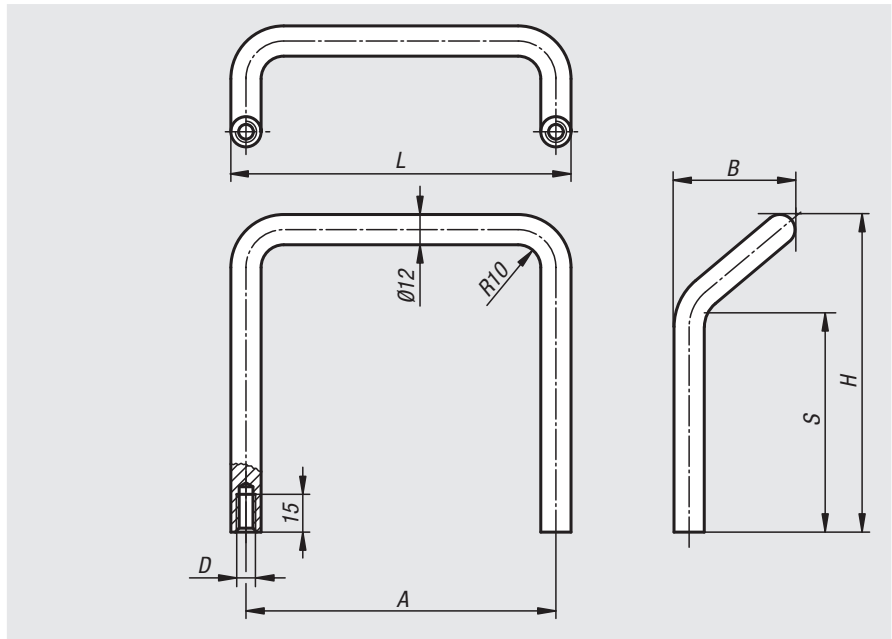


Material:
Round steel

Version:
Finely ground and high-gloss chrome-plated.

Sample order:
nlm 06923-06008

Assembly:
From the rear.



Order No.	A	B	D	H	L	S	Load capacity N
06923-06008	120	47	M8	66	132	27	1000
06923-12008	120	47	M8	126	132	87	1000

Pull handles

stainless steel

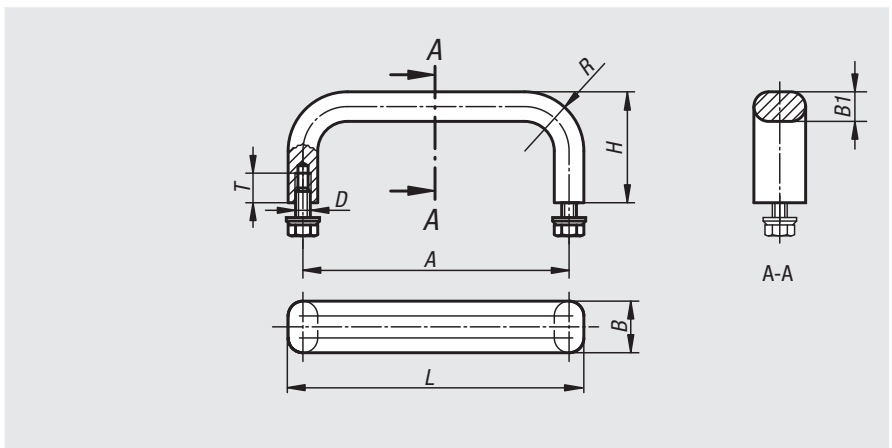


Material:
Handle stainless steel 1.4404.
Fastening material 1.4301.

Version:
Vibratory ground semi-gloss finish.

Sample order:
nlm 06924-10005

Assembly:
From the rear.



Order No.	A	B	B1	D	H	L	R	T	Load capacity N
06924-10005	100	12	8	M5x10	40	108	22	10	1000
06924-12005	120	12	8	M5x10	40	128	22	10	1000
06924-15005	150	12	8	M5x10	40	158	22	10	1000
06924-18005	180	12	8	M5x10	40	188	22	10	1000
06924-25005	250	12	8	M5x10	40	258	22	10	1000
06924-10006	100	19,5	10	M6x12	45	110	24	12	1000
06924-12006	120	19,5	10	M6x12	45	130	24	12	1000
06924-15006	150	19,5	10	M6x12	45	160	24	12	1000
06924-18006	180	19,5	10	M6x12	45	190	24	12	1000
06924-25006	250	19,5	10	M6x12	45	260	24	12	1000