

Pull handles



Material:

Profile aluminium EN AW-6060

Version:

Matt-finished, black or natural colour anodised

Sample order:

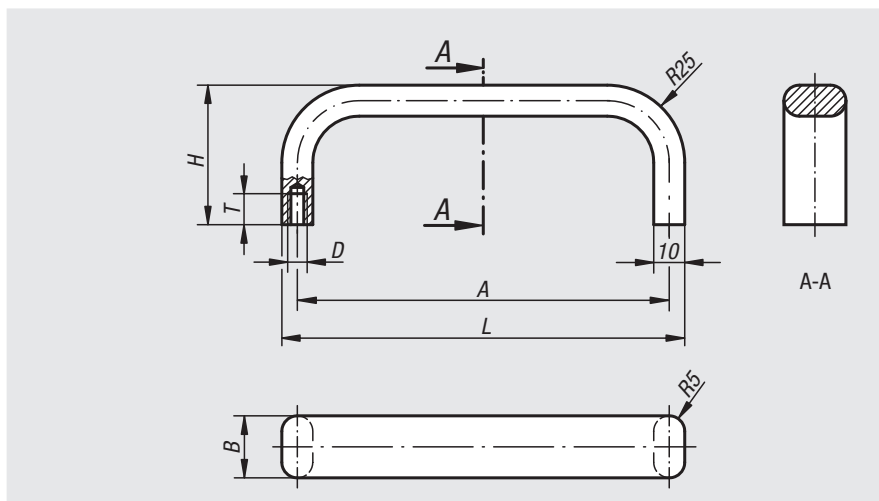
nIm 06921-18001

Note:

These elegant flat profile aluminium handles are especially suitable for machines, fixtures, equipment etc.

Assembly:

From the rear.



Order No. black	Order No. natural	A	B	D	H	L	T	Load capacity N
06921-12001	06921-12003	120	20	M5	45	130	10	500
06921-18001	06921-18003	180	20	M5	45	190	10	500
06921-20001	06921-20003	200	20	M5	45	210	10	500
06921-35001	06921-35003	350	20	M6	45	360	12	500

Pull handles

stainless steel



Material:

Pull handle 1.4404 stainless steel.
Fastening material grade A4.

Version:

Semi-gloss vibratory ground.

Sample order:

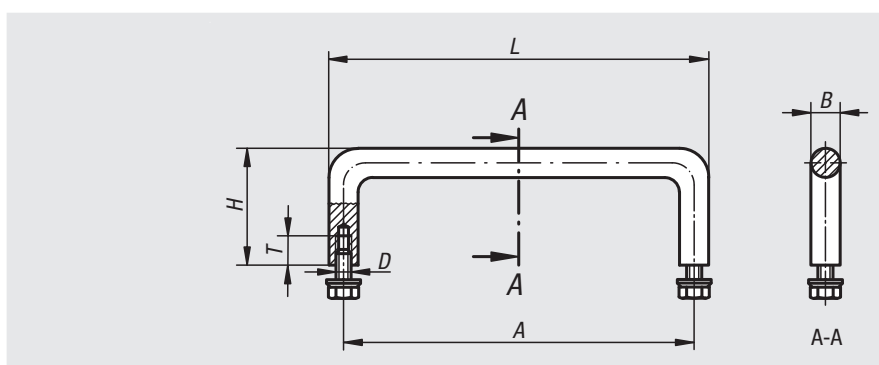
nIm 06922-120

Note:

Stainless steel pull handles are used mainly on equipment in the medical and food industry as well as in laboratories and nuclear technology.

Assembly:

From the rear.



Order No.	A	B	D	H	L	T	Load capacity N
06922-100	100	8	M5x10	35	108	10	1000
06922-120	120	10	M5x10	40	130	10	1000
06922-250	250	10	M5x10	40	260	10	1000
06922-350	350	10	M5x10	40	360	10	1000