

Pull handles oval


Material:

Oval aluminium EN AW-6060

Version:

Black or ruby red RAL 3003 powder-coated or natural colour anodised.

Sample order:

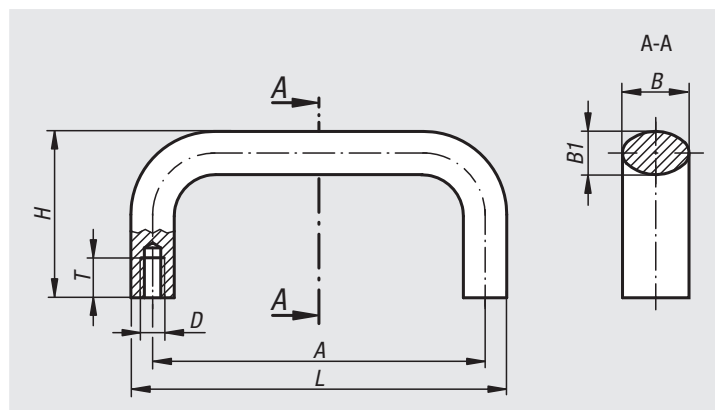
nIm 06920-10001

Note:

These handles are extremely robust and can be used where heavy duty equipment is called for.

Assembly:

From the rear.



Order No. black powder-coated	Order No. natural anodized	Order No. ruby red powder-coated	A	B	B1	D	H	T	L	Load capacity N
06920-10001	06920-110003	06920-10027	100	21	13	M6	50	12	113	1000
06920-11201	06920-111203	06920-11227	112	21	13	M6	50	12	125	1000
06920-1120108	06920-11120308	06920-1122708	112	25	17	M8	55	14	129	1000
06920-12001	06920-112003	06920-12027	120	21	13	M6	50	12	133	1000
06920-1200108	06920-11200308	06920-1202708	120	25	17	M8	55	14	137	1000
06920-12801	06920-112803	06920-12827	128	21	13	M6	50	12	141	1000
06920-1280108	06920-11280308	06920-1282708	128	25	17	M8	55	14	145	1000
06920-1600106	06920-11600306	06920-1602706	160	21	13	M6	50	12	173	1000
06920-16001	06920-116003	06920-16027	160	25	17	M8	55	14	177	1000
06920-18001	06920-118003	06920-18027	180	25	17	M8	55	14	197	1000
06920-19201	06920-119203	06920-19227	192	25	17	M8	55	14	209	1000
06920-35001	06920-135003	06920-35027	350	25	17	M8	55	14	367	1000

Pull handles oval


Material:

Oval aluminium EN AW-6060

Version:

Black or ruby red RAL 3003, powder-coated.

Sample order:

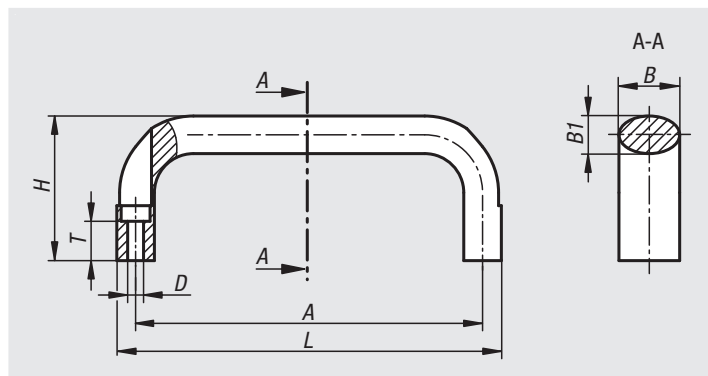
nIm 06920-11000105

Assembly:

From the front.

Accessories:

Use ISO 4762-M5/M6 cap screws for mounting the handles.



Order No. black	Order No. ruby red	A	B	B1	D	H	L	T	Load capacity N
06920-11000105	06920-11002705	100	21	13	5,5	50	113	13,6	1000
06920-11120105	06920-11122705	112	21	13	5,5	50	125	13,6	1000
06920-11120106	06920-11122706	112	25	17	6,6	55	129	11	1000
06920-11200105	06920-11202705	120	21	13	5,5	50	133	13,6	1000
06920-11200106	06920-11202706	120	25	17	6,6	55	137	11	1000
06920-11280105	06920-11282705	128	21	13	5,5	50	141	13,6	1000
06920-11280106	06920-11282706	128	25	17	6,6	55	145	11	1000
06920-11600105	06920-11602705	160	21	13	5,5	50	173	13,6	1000
06920-11600106	06920-11602706	160	25	17	6,6	55	177	11	1000
06920-11800106	06920-11802706	180	25	17	6,6	55	197	11	1000

Pull handles oval

detachable



Material:

Pull handle oval aluminium EN AW-6060.
Locating pin free-cutting steel 1.0718.
Blanking disc free-cutting steel 1.0718.

Version:

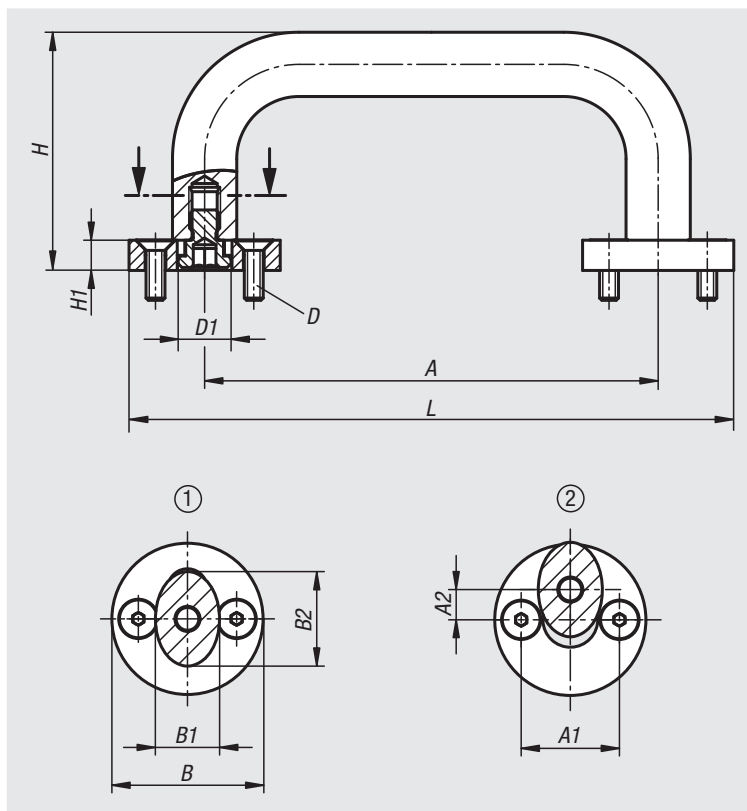
Pull handle black powder-coated.
Locating pin and blanking disc black oxidised.

Sample order:

nIm 06920-10012001

Note:

The pull handles are mounted on an object by a push-fit system.
Dismantling is carried out when no load is applied.



Order No.	A	A1	A2	B	B1	B2	D	D1	H	H1	L	Load capacity N
06920-10012001	100	24	7	35	13	21	M5x16	12	58	8	135	1000
06920-11212001	112	24	7	35	13	21	M5x16	12	58	8	147	1000
06920-11214001	112	26	8	40	15	25	M5x16	14	63	8	152	1000
06920-12012001	120	24	7	35	13	21	M5x16	12	58	8	155	1000
06920-12014001	120	26	8	40	17	25	M5x16	14	63	8	160	1000
06920-12812001	128	24	7	35	13	21	M5x16	12	58	8	163	1000
06920-12814001	128	26	8	40	17	25	M5x16	14	63	8	168	1000
06920-16012001	160	24	7	35	13	21	M5x16	12	58	8	195	1000
06920-16014001	160	26	8	40	17	25	M5x16	14	63	8	200	1000
06920-18014001	180	26	8	40	17	25	M5x16	14	63	8	220	1000
06920-19214001	192	26	8	40	17	25	M5x16	14	63	8	232	1000
06920-35014001	350	26	8	40	17	25	M5x16	14	63	8	390	1000

Pull handles oval

detachable

Application:

Insert the pull handle into the opening until the grip makes contact with the blanking disc.

Lock by holding the handle parallel and pulling up.

The grip can only be subject to vertical loads.

To release, follow the previous instructions in reverse.

Assembly:

An object must be prepared before the blanking disc can be mounted.

See mounting instructions drawing.

Drawing reference:

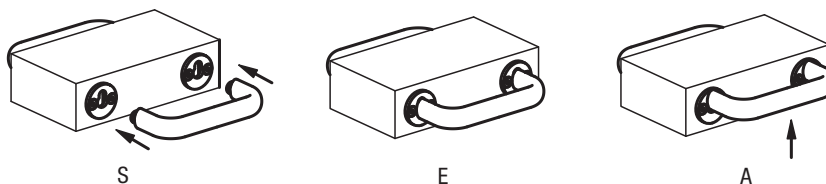
1) Position disengaged

2) Position engaged

S = insert

E = engage

A = lift



mounting instructions:

