

Pull handles


Material:

Glass bead reinforced thermoplastic.

Version:

Matt black with fine texture.

Sample order:

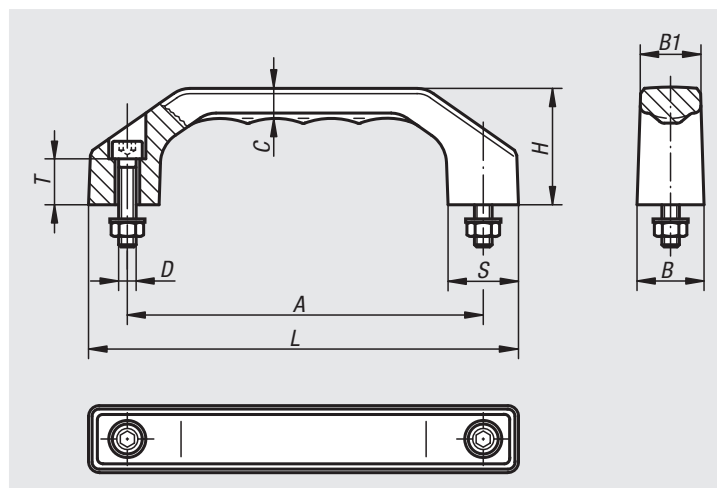
nIm 06916-140082

Note:

These handles are extremely flex-resistant and very user friendly. Fastening screws, nuts and washers are supplied. Stainless steel fasteners are supplied for wet areas.

Assembly:

From the front.



Order No.	Order No. wet area	A	B	B1	C	D	H	L	S	T	Load capacity N
06916-100051	06916-100052	100	19	17	8,5	M5X22	35	122	20	13	1000
06916-120061	06916-120062	120	23	20,5	10,5	M6X25	39	146	24	15	1000
06916-140081	06916-140082	140	27	24	12	M8X30	45	170	28	16	1000
06916-160081	06916-160082	160	31	27,5	13,5	M8X35	52	194	32	20	1000
06916-180081	06916-180082	180	35	31	15,5	M10X40	58	218	36	20	1000