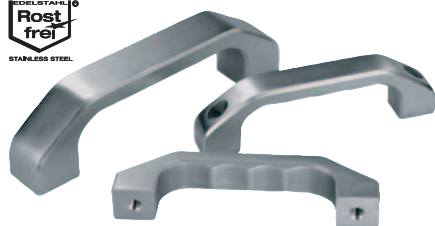


Pull handles stainless steel



Material:

Investment cast 1.4308 stainless steel.
Fasteners 1.4301 stainless steel.

Version:

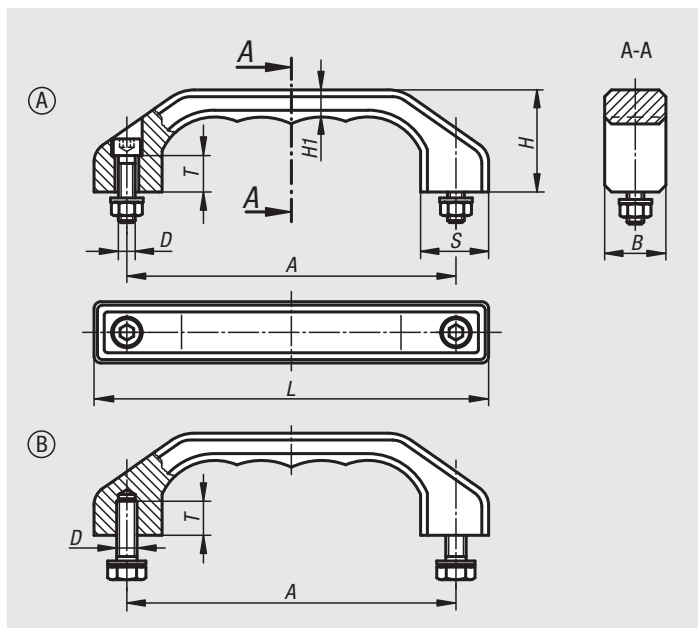
Abrasive cleaned and matt gloss electropolished.

Sample order:

nIm 06914-140081

Assembly:

Form A from the front.
Form B from the rear.



Order No.	Form	A	B	D	H	H1	L	S	T	Load capacity N
06914-140081	A	140	25	M8x30	45	12	170	28	15	1000
06914-180101	A	180	32	M10x40	58	15	218	36	18	1000
06914-140082	B	140	25	M8x18	45	12	170	28	15	1000
06914-180102	B	180	32	M10x20	58	15	218	36	18	1000

Pull handles



Material:

EN AW-6060

Version:

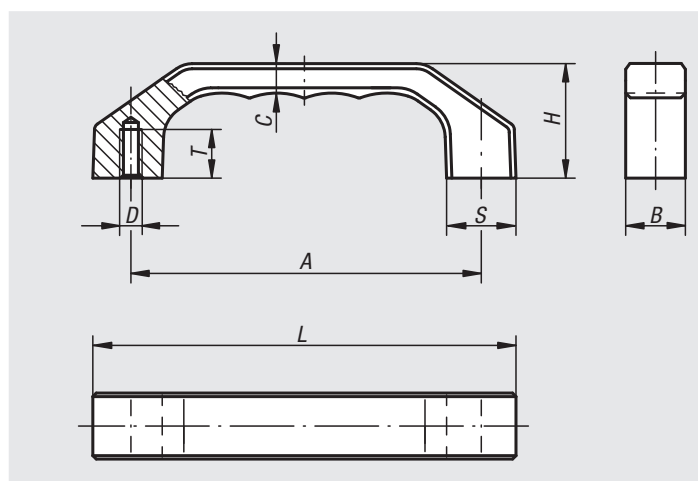
Matt-finished and anodised or powder-coated

Sample order:

nIm 06915-140082

Assembly:

From the rear.



Order No. natural	Order No. black	Order No. titanium	A	B	C	D	H	L	S	T	Load capacity N
06915-120061	06915-120062	06915-120063	120	22	10,5	M6	39	146	24	15	1000
06915-140081	06915-140082	06915-140083	140	25	12	M8	45	170	28	16	1000
06915-160081	06915-160082	06915-160083	160	28	13,5	M8	52	194	32	16	1000