

Pull handles

with soft inner face



Material:

Hard components glass-bead reinforced thermoplastic.
Soft components SEBS

Version:

Hard component matt black, soft component basalt grey.

Sample order:

nIm 06913-515008

Note:

Heavy-duty polyamide handle. Excellent carrying and gripping comfort thanks to its soft inner surface.

Black electro zinc-plated cap screws, nuts and washers are supplied.

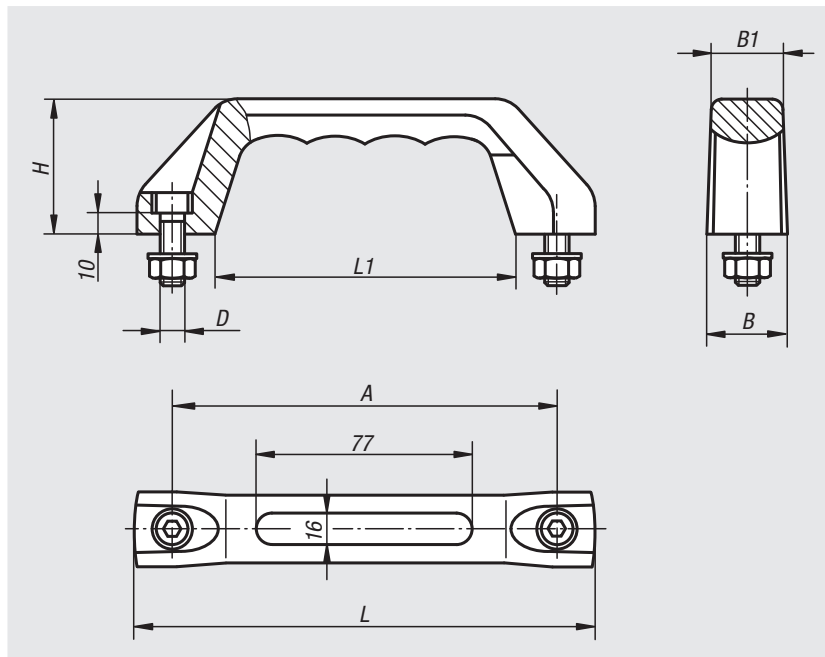
For wet areas, the fastening material is supplied in stainless steel (1.4301).

Assembly:

From the front.

On request:

With individual caption, embossed or raised on the soft material. Hard and soft components are available in all RAL colours.



Order No.	Version 2	A	B	B1	D	L	L1	H	Load capacity N
06913-515008	standard	150	29	25,5	M8x25	178	118	53	500
06913-615008	wet area	150	29	25,5	M8x25	178	118	53	500